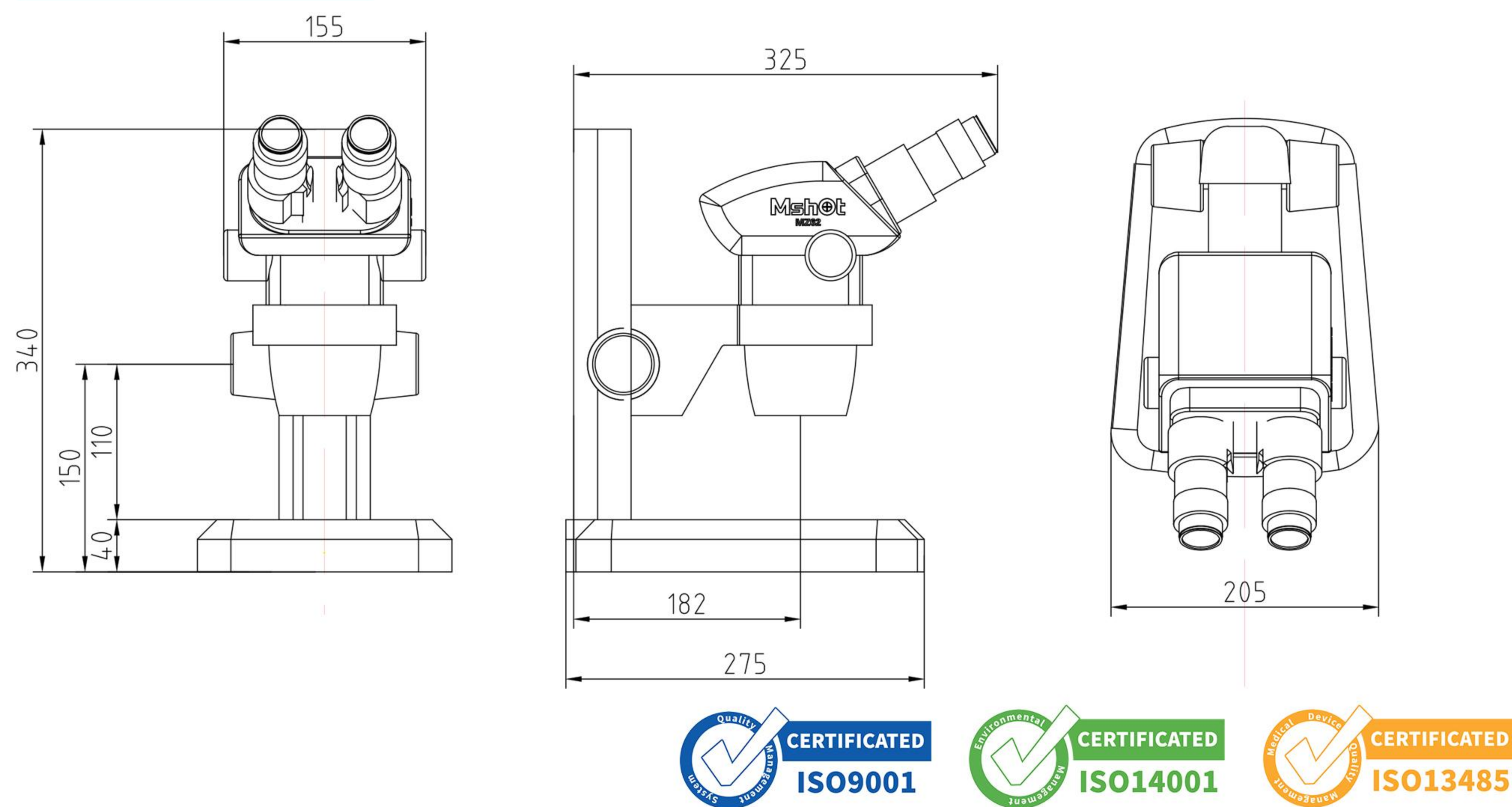


Product Parameter

Items	Specifications
Eyepieces	Large field of view MF 10X/22mm (optional large field of view 16X/15mm, centering telescope)
Eyepiece tube	45° inclined hinged trinocular observation tube, pupil distance adjusting range: 53-75mm, split ratio 100:0 or 0:100
Objectives	Infinity plan achromatic objective lens 4X/0.1 WD: 21.5m
	Infinity plan achromatic objective lens 10X/0.25 WD: 7.5mm
	Infinity plan achromatic objective lens 40X/0.65 WD : 0.65mm
	Infinity plan achromatic objective lens (oil) 100X/1.25 WD: 0.185m
	Infinity plan achromatic objective: 20X/0.25 WD : 4.7m (optional)
Focus system	Coarse and micro motion coaxial focusing, with elastic and limiting device, micro motion grid value 2um
	Rough stroke 40mm per lap, micro stroke 0.2 mm per lap, focusing range 24mm
Nosepiece	Inward four-hole nosepiece, optional inward five-hole nosepiece
Stage	Double-layer activity platform, dimensions 210mx140m, moving range: 76mx50m
Illumination system	Abbe condenser NA/1.25 (optional turntable type phase contrast condenser, optional push plate type simple dark field condenser)
	LED light source, brightness adjustable, Kohler lighting (Optional halogen light source, brightness adjustable, Kohler lighting)
Camera Adapter	TV1XC-MO; (optional TV0.5XC-MO)
Other accessories	Simple polarizing accessory (optional)

MZ62 Dimensions



Guangzhou Micro-shot Technology Co.,Ltd.

Phone: (86)-020-38262481 / 38250606|Fax:(86)-020-38262491

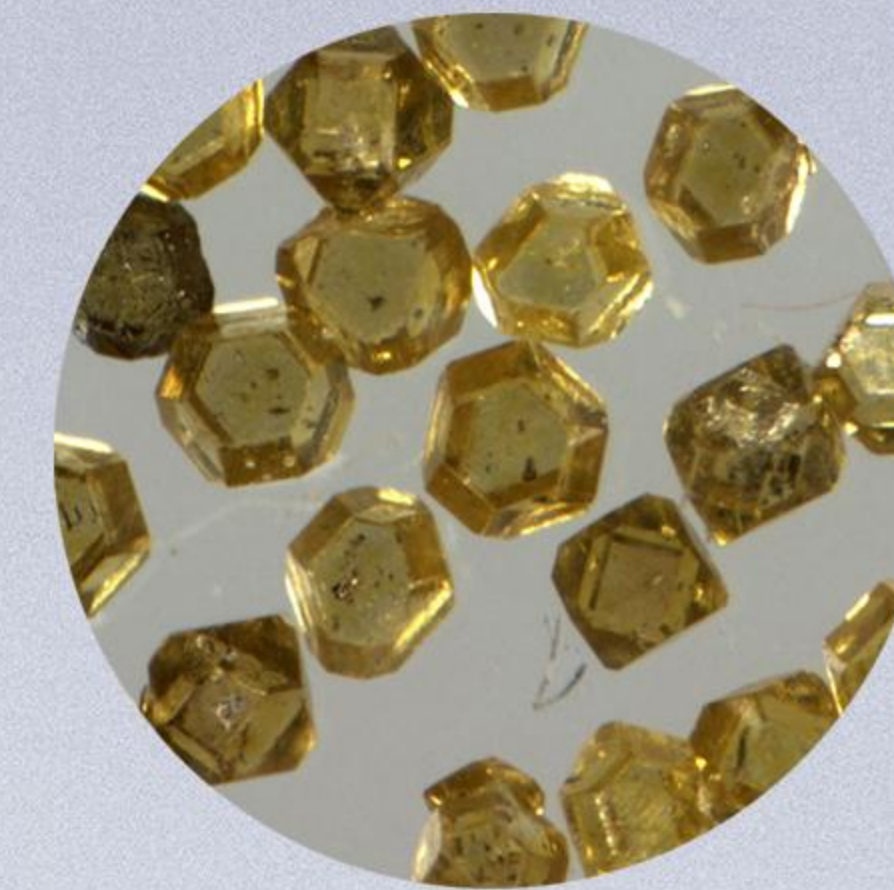
Head office: Room A-506 Vanke Cloud, 1933 Huaguan Road, Tianhe District, Guangzhou, 510640 China

Website:www.m-shot.com Email: sales@mshot.com

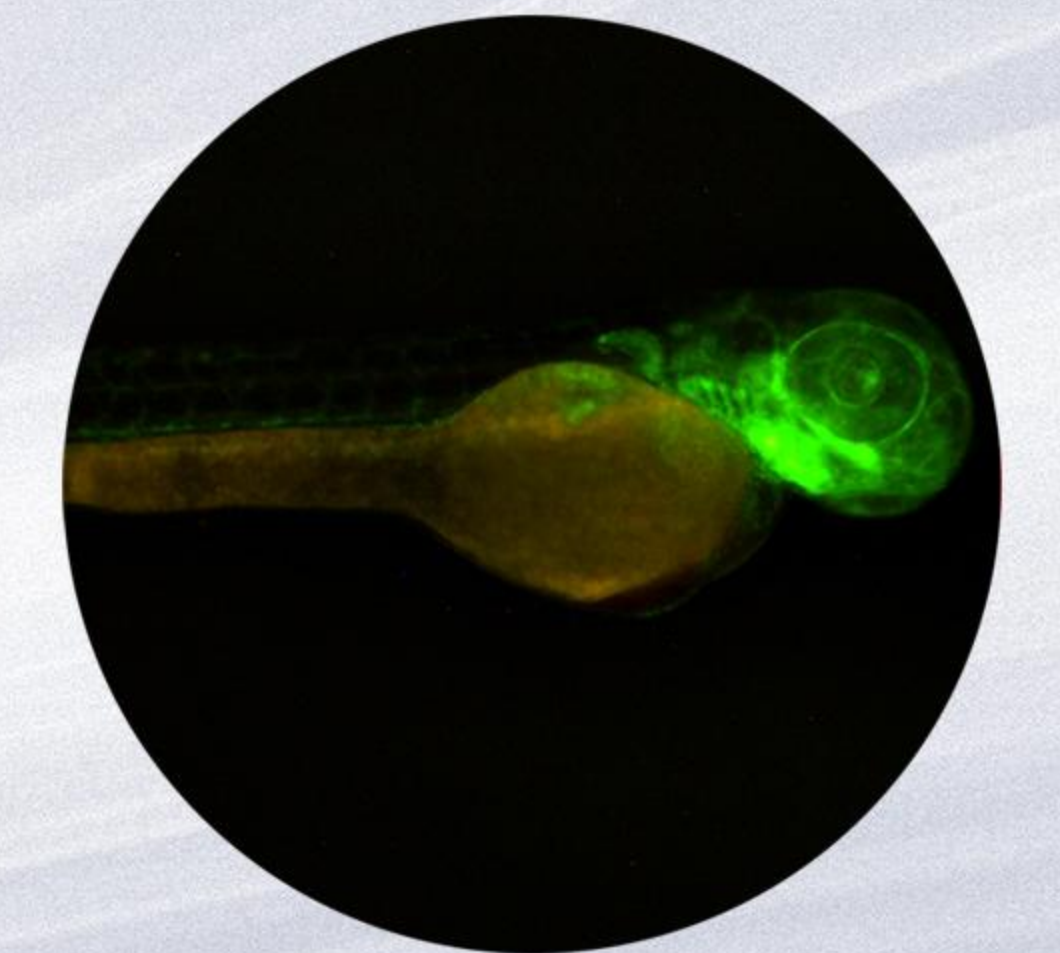
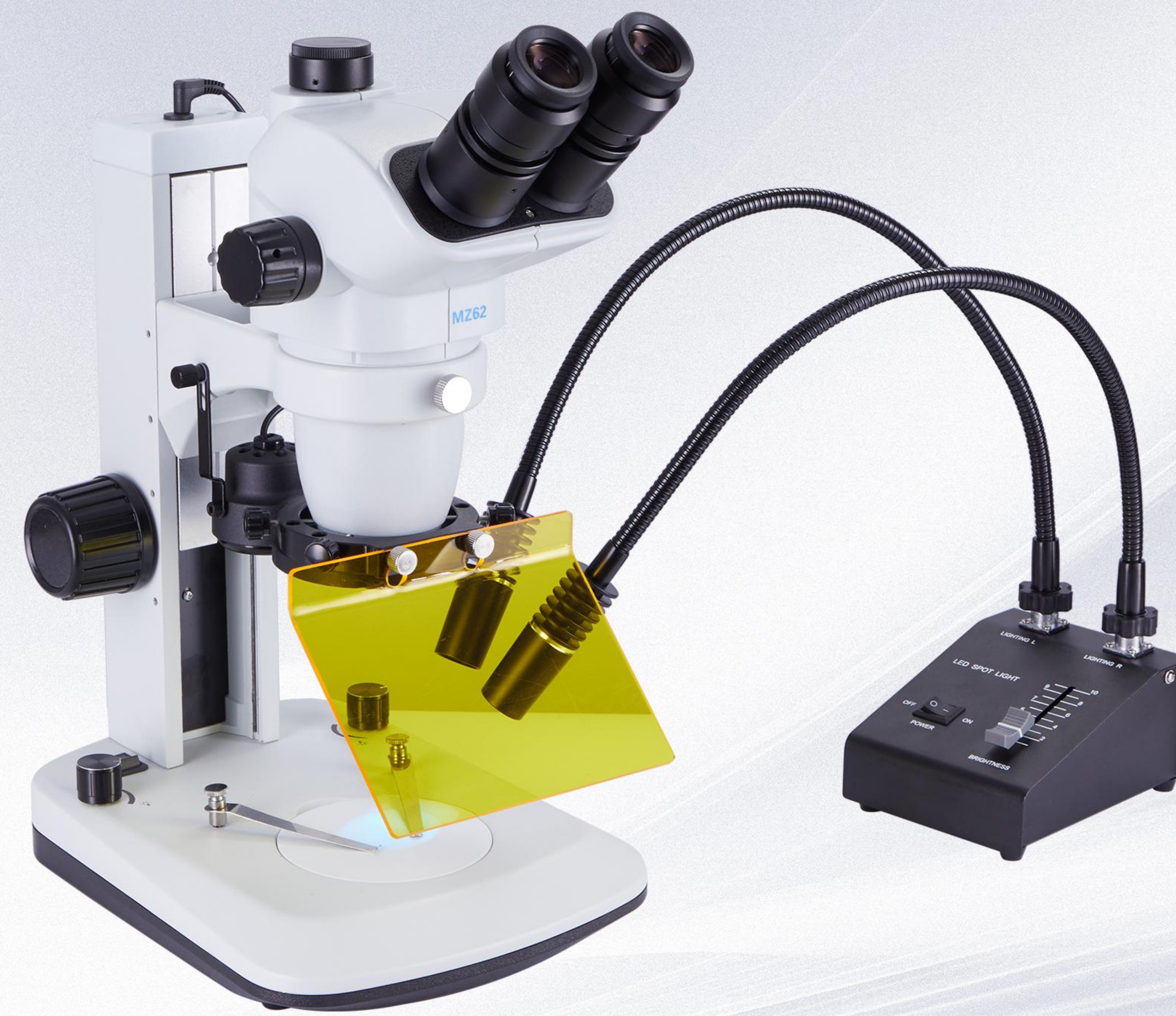
Any changes in specifications and appearance are subject to change without prior notice.

MshOT 明美

MZ62 Stereo Microscope



MZ62 Stereo Microscope



Support upgrade to simple fluorescence microscope

01 Large field of view and high eye point eyepiece

22 large field of view eyepieces, the field of view under the lens is flat and wide, reducing eye fatigue caused by long-term work, high eye point design, you can observe without taking off glasses: the diopter is adjustable to ensure simultaneous clarity under the binoculars

02 Trinocular observation head

45-degree tilt angle, optimal comfort tilt angle, ergonomic design, 55-degree split light design, can be observed simultaneously under the camera without switching back and forth, 0.67-4.5X continuous zoom, flexibly adapted to samples of different sizes.

03 Precision focusing mechanism

105mm long working distance, large travel focusing range, leaving enough space for large-size samples, precision guide rail components to ensure accuracy and stability, and the focusing handwheel is adjustable to maintain the best operating feel

04 Integrated LED transreflective lighting

The transmitted and reflected light sources are integrated and can be switched on and off with one click, without redundant wire harnesses; the brightness of the two light sources is independently controlled, and the brightness can be continuously adjusted through the two knobs on the base.

05 A variety of bases are available for selection

In addition to the standard transreflective base, you can also choose various bases such as the Vientiane holder base and the adjustable-angle transmission base to meet different requirements such as larger operating space and transparent sample observation.

