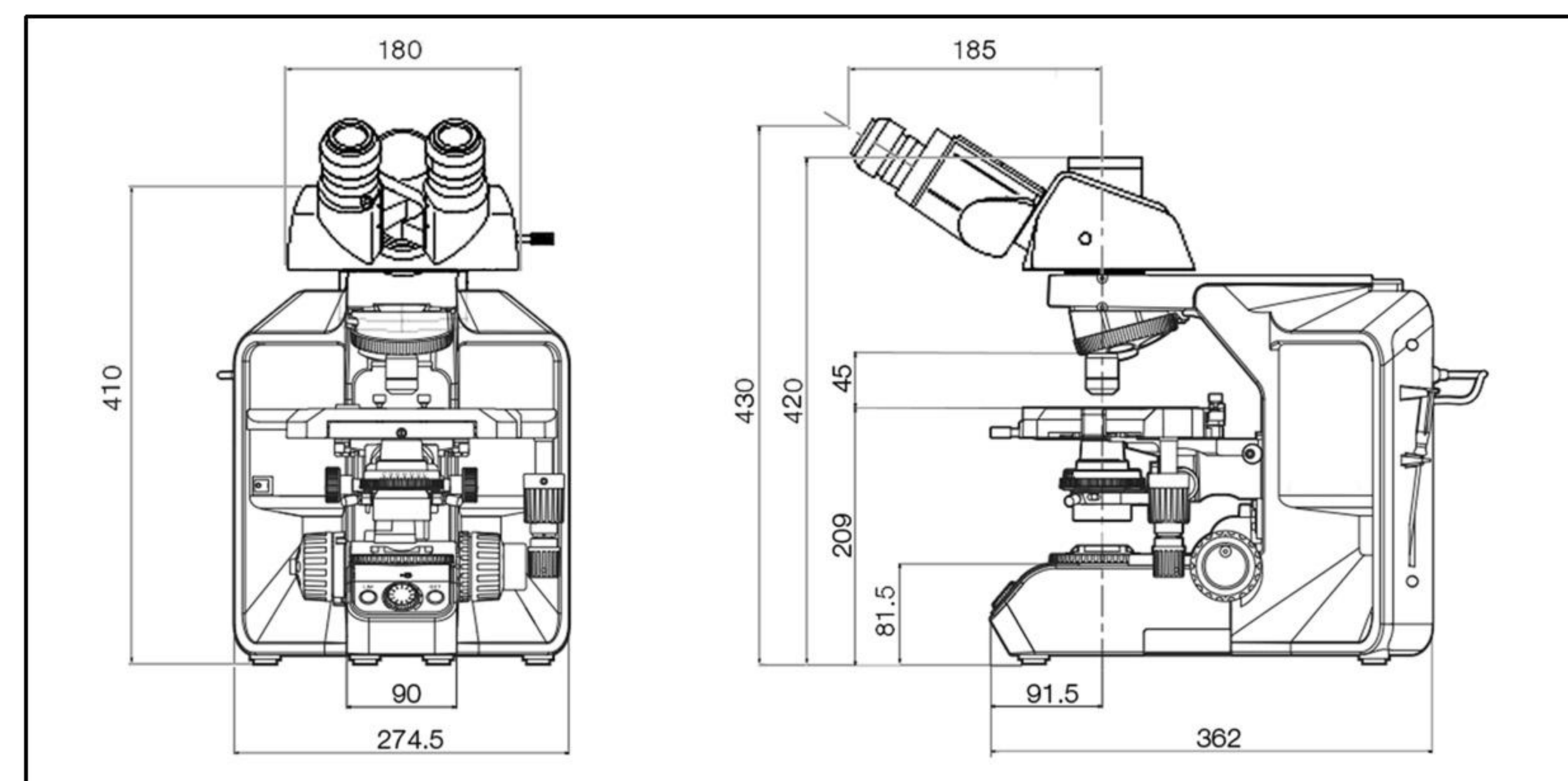


ML51-N Specification

Biological microscope ML51-N	
Item	Specification
Eyepiece	Wide field of view 10X/25mm
Head	Hinged trinocular observation tube, high eye point, 30° tilt, interpupillary distance adjustment 50 – 75mm, binocular: trinocular split ratio 100:0 or 20:80 or 0:100
Objectives	Plan Semi-Apochromat Objectives M-UPLFLN 4X / 10X / 40X / 100X Plan Semi-Apochromat Objectives M-UPLFLN 20X (Optional)
Focusing system	Coarse and fine coaxial focusing, focusing stroke 25mm, with upper limit stop position for coarse adjustment, the torque of the coarse adjustment knob is adjustable, and the fine adjustment scale is 1 μm
Nosepiece	Inward coded quintuple nosepiece
Stage	High wear-resistant ceramic cover stage, moving range 80x50 mm, precision 0.1mm
Transmitted lighting	Abbe condenser, NA 1.1, Kohler illumination Warm white LED light source, continuously adjustable brightness, with light intensity manager
Camera port	TV1XC-MO (without camera)
Size	362 * 274.5 * 500 (unit:mm, L*W*H)
Optional accessories	
Phase contrast	Plan Achromatic Phase Contrast Objectives Plan 10X/20X/40X/100X PH Turret type of phase contrast condenser Centering telescope
Dark field	Dark field condenser Plan achromatic DIC objectives
Differential interference DIC	Coded quintuple nosepiece with prism socket Pair of DIC prisms with sliders DIC Condenser with polarizer, with prism Slot Analyzer
Eyepiece	Wide field 10X/23mm
Objectives	Plan Semi-Apochromat Objectives Plan Flour 4X/10X/20X/40X/100X
Nosepiece	Inward coded sextuple nosepiece
Camera port	TV0.5XC-MO

ML51-N DIMENSION



Guangzhou Micro-shot Optical Technology Co. Ltd

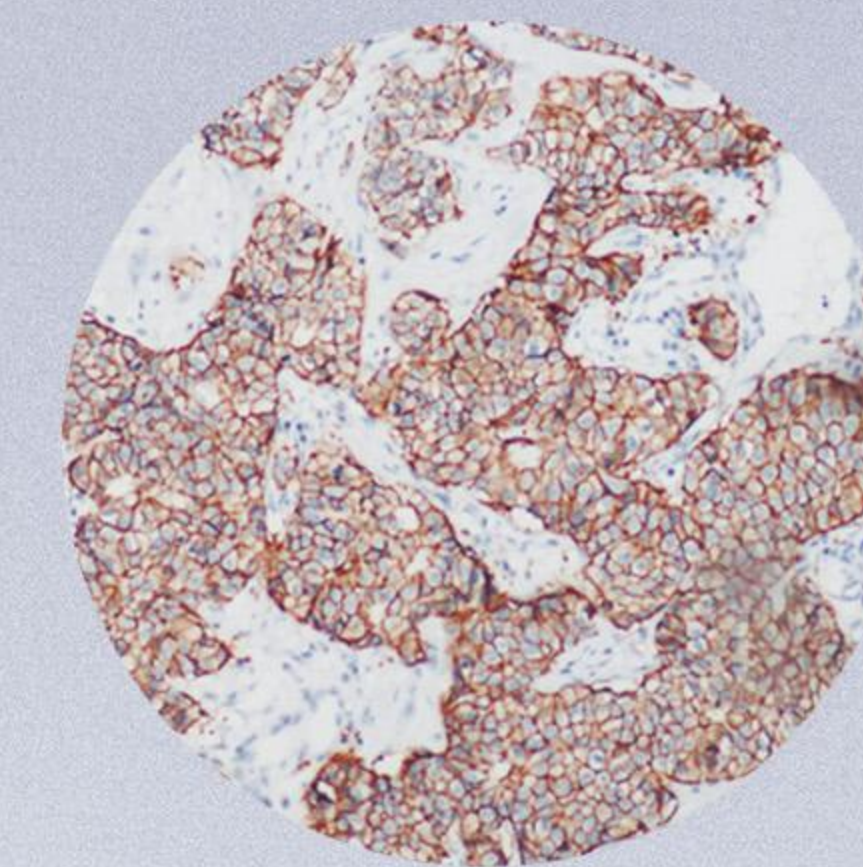
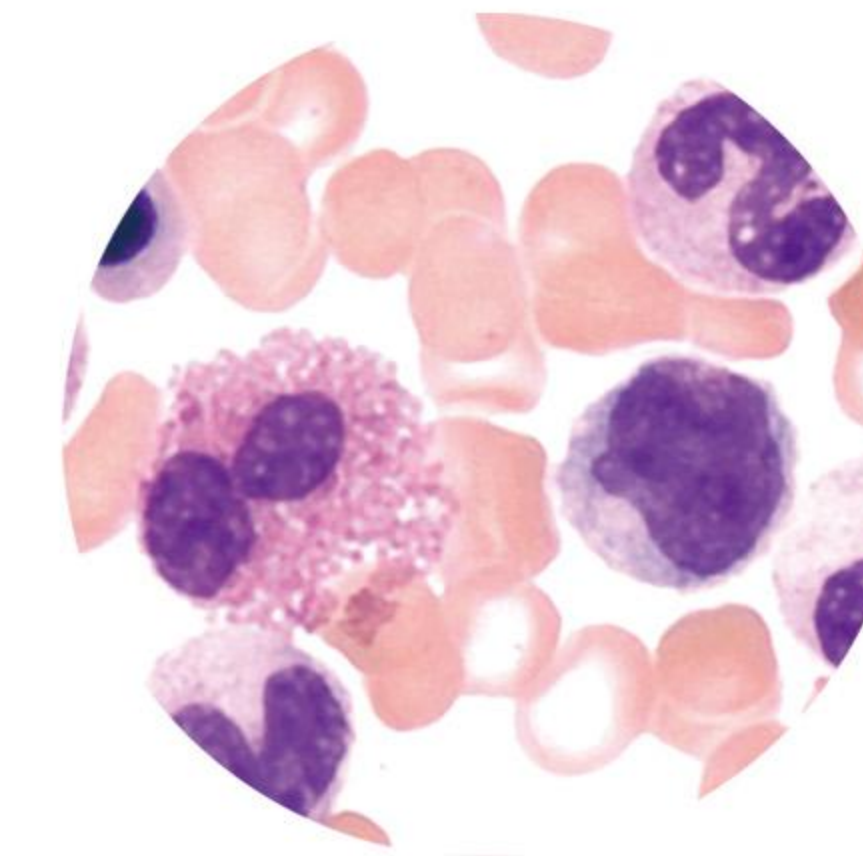
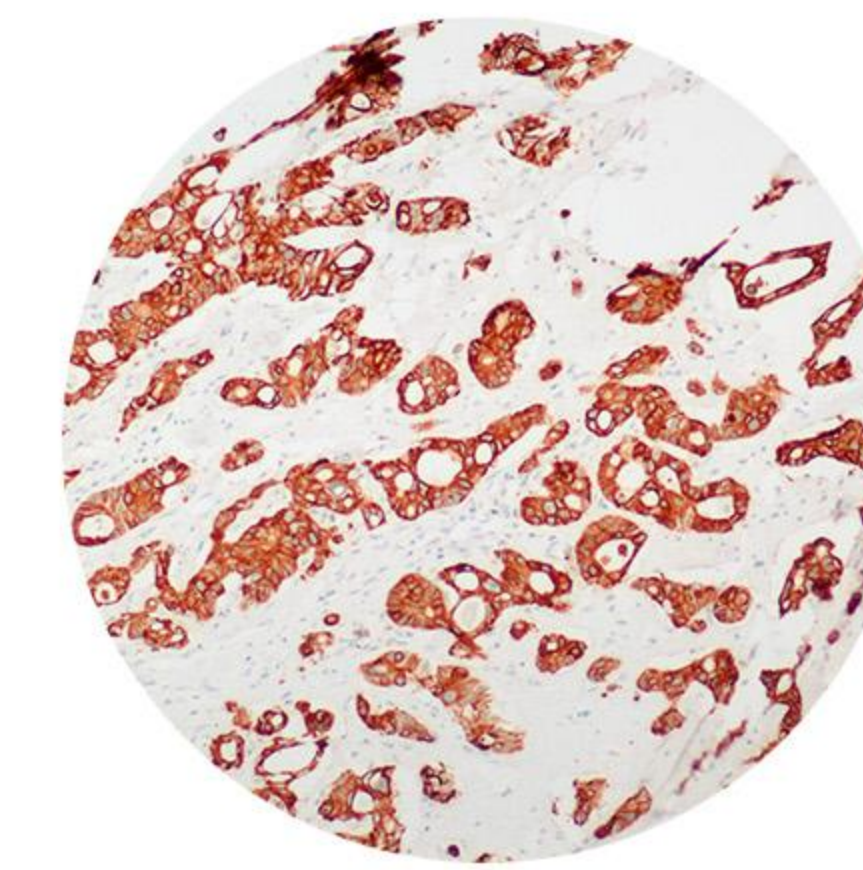
ADD: Rm A-506, Vanke Cloud, 1933 Huaguan Road, / Tianhe District, Guangzhou, / 510660 China
www.m-shot.com / sales@mshot.com / Tel:0086-20-38262481

Any specifications and appearance are subject to change without notice.

CY230317

Mshot

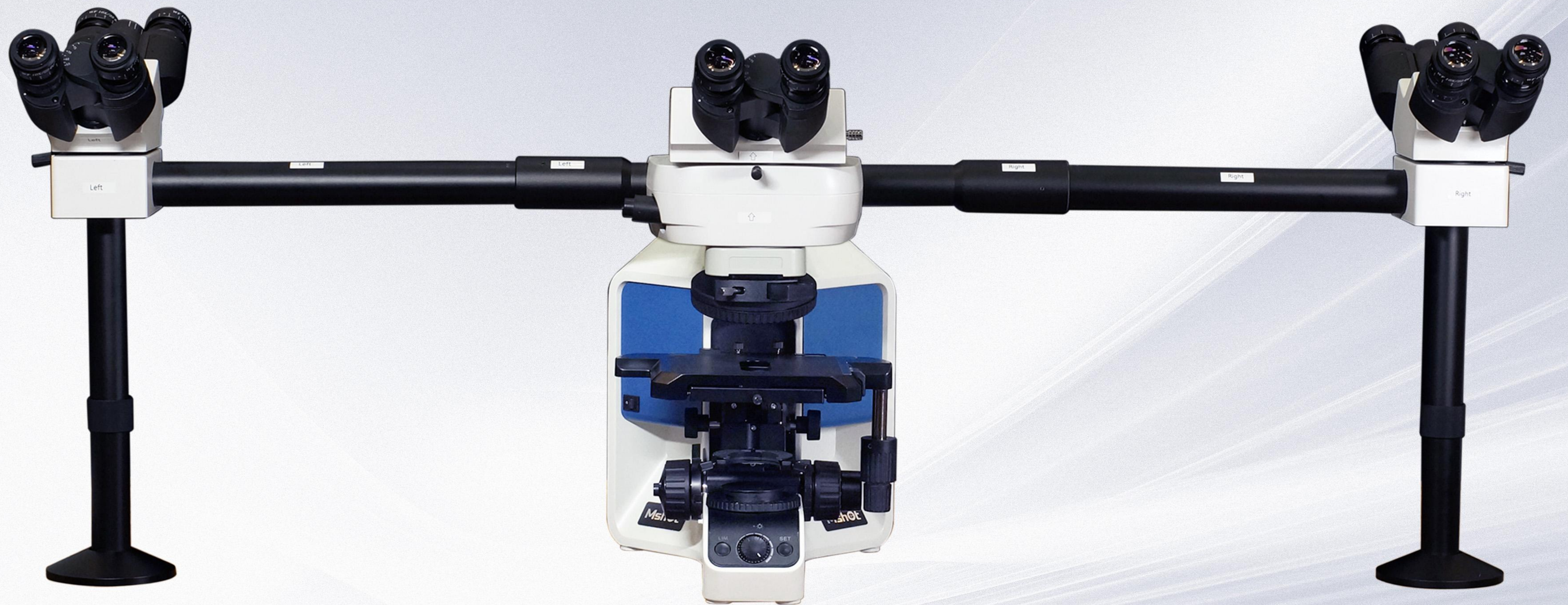
Biological Microscope ML51-N



Biological microscope ML51-N



Can be upgraded to LED fluorescence microscope



Multi-head attachment

01 Large field of view High eye point eyepiece

25mm super large field of view under the microscope, more comprehensive observation content; high eye point design, you can observe without taking off your glasses; the diopter can be adjusted to ensure double the field of view under the eyepiece is synchronously clear.

02 Butterfly design frame

The butterfly-shaped design is beautiful and generous; the Y-shaped support makes the structure more stable, and the high-power observation field does not shake; the back-portable design makes it easier to move and carry.

03 Low hand position Ceramic overlay stage

Low hand position allows the hand place on the table to easily control the movement of the stage, avoiding the fatigue caused by the hand hanging during long-term work. Ceramic covering stage is anti-wear and scratch, the table remains flat after long-term use.

04 Plan Semi-Apochromat Objectives

The semi-apochromatic objective lens with high numerical aperture can provide microscopic imaging with high signal-to-noise ratio, high resolution and high contrast, and can provide images with consistent sharpness in a larger field of view.

05 Warm white LED light source with light intensity manager

Long-life high-brightness warm white LED light source is stable and uniform, bright and not dazzling, the light intensity manager can set the illumination intensity under different magnification objective lenses and remember, no need to repeatedly adjust when switching back and forth, and keep the brightness consistent at all times.

