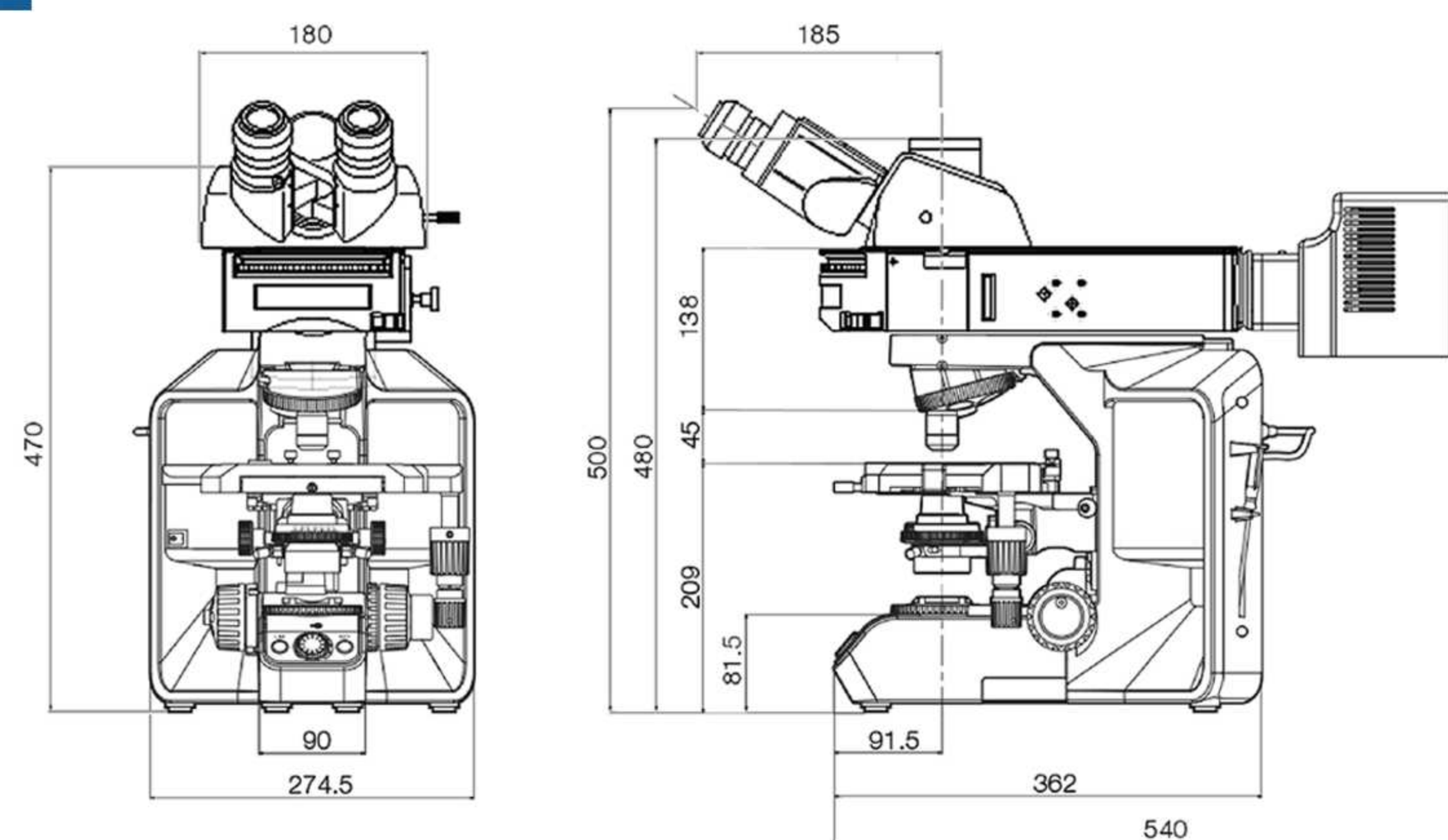


# Parameters

Microscope frame	Optical system	Universal Infinity-corrected optical system	
	Structure	Original from international famous brand microscope	
Observation	Hinged type trinocular observation tube with 30°inclination		
	Wide field eyepiece 10X/22mm, high eye-point, interpupillary distance 53~75mm		
Nosepiece	Quintuple nosepiece		
Objectives	Semi-apochromatic metallurgical objective PlanFluor EPI 5X/0.15, WD:20mm		
	Semi-apochromatic metallurgical objective PlanFluor EPI 10X/0.3, WD:11mm		
	Semi-apochromatic metallurgical objective PlanFluor EPI 20X/0.45, WD:3mm		
	Semi-apochromatic metallurgical objective PlanFluor EPI 50X/0.8, WD:1mm		
	Optional objectives	Fluor EPI objective	Semi-apochromatic metallurgical objective PlanFluor EPI 100X/0.9, WD:1mm
		Long working distance plan objectives	L Plan 5X/0.5, WD:23.6mm
			L Plan 10X/0.3, WD:17.7mm
			L Plan 20X/0.4, WD:10.4mm
	Bright field & dark field objectives	L Plan 50X/0.55, WD:7mm	
		L Plan 100X/0.8, WD:3.2mm	
Bright field & dark field metallurgical objective N-MPFN 5X/0.15 BD, WD:20mm			
Bright field & dark field metallurgical objective N-MPFN 10X/0.3 BD, WD:11mm			
	Bright field & dark field metallurgical objective N-MPFN 50X/0.8 BD, WD:1mm		
	Bright field & dark field metallurgical objective N-MPFN 100X/0.9 BD, WD:1mm		
Stage	Coaxial stage with left or right hand low drive control: with rotating mechanism and torque adjustment mechanism		
	Travel distance 80mm×50mm, 1mm per scale, accuracy 0.1mm		
	Triple-layer mechanical stage with glass plate clamp		
	Transparent glass plate 97mm×76mm		
Reflected illumination	Turret accommodates maximum sextuple filter block cubes		
	Mirror units of bright field		
	Digital control LED light control box, AC110V/220V		
	30W board-spectrum LED light source MG30		
	Connector of broad-spectrum LED light source		
	Analyzer and polarizer		
	Optional illuminating system	12V100W halogen lamp house and control box	
Focus	25 mm stage stroke with coarse adjustment limit stopper, torque adjustment for coarse adjustment		
	knobs, stage mounting position variable, minimum adjustment gradations: 1 μm		
Transmitted illumination system	Warm white LED lamp, brightness is continuously adjustable		
	Abbe condenser, N.A. 1.1		

# Dimensions



Guangzhou Micro-shot Technology Co.,Ltd

Add: Rm A-506, Vanke Cloud, 1933 Huaguan Road, Tianhe District, Guangzhou, China

Web: www.m-shot.com Tel: 020-38250606

MshO<sub>t</sub>明美

Microscope Imaging System Solution Provider

Research-grade upright metallurgical microscope

MJ43



## Large view field, clear and uniform imaging



### Semi-apochromatic metallographic objective

Ensure accurate color reproduction. For various application requirements, high resolution, longworking distance bright/dark field plan objectives,etc. can be selected.

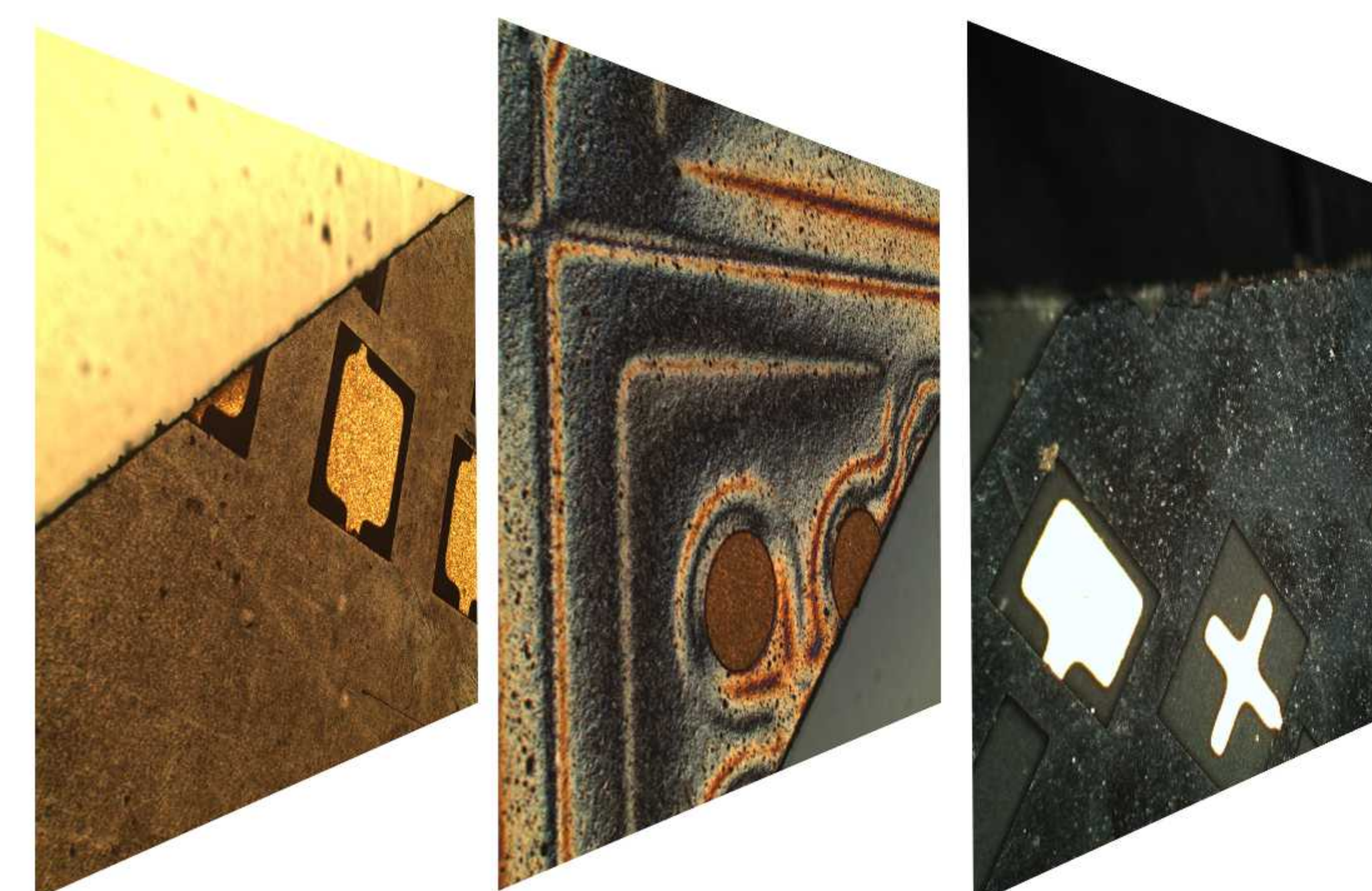
### Trinocular tube

It adopts a trinocular triple light splitter tube to observe both visually and photographing at the same time. Adjustable eyepiece tilt angle to relieve muscle tension or discomfort caused by long working hours.



## Diversified solutions for multiple applications

For different applications in industry and materials science, it can be modularized to form microscopes for various applications such as reflection, transmission and reflection, bright and dark field, polarized microscopes, etc



## High-intensity LED lighting, long life



### LED epi-illumination

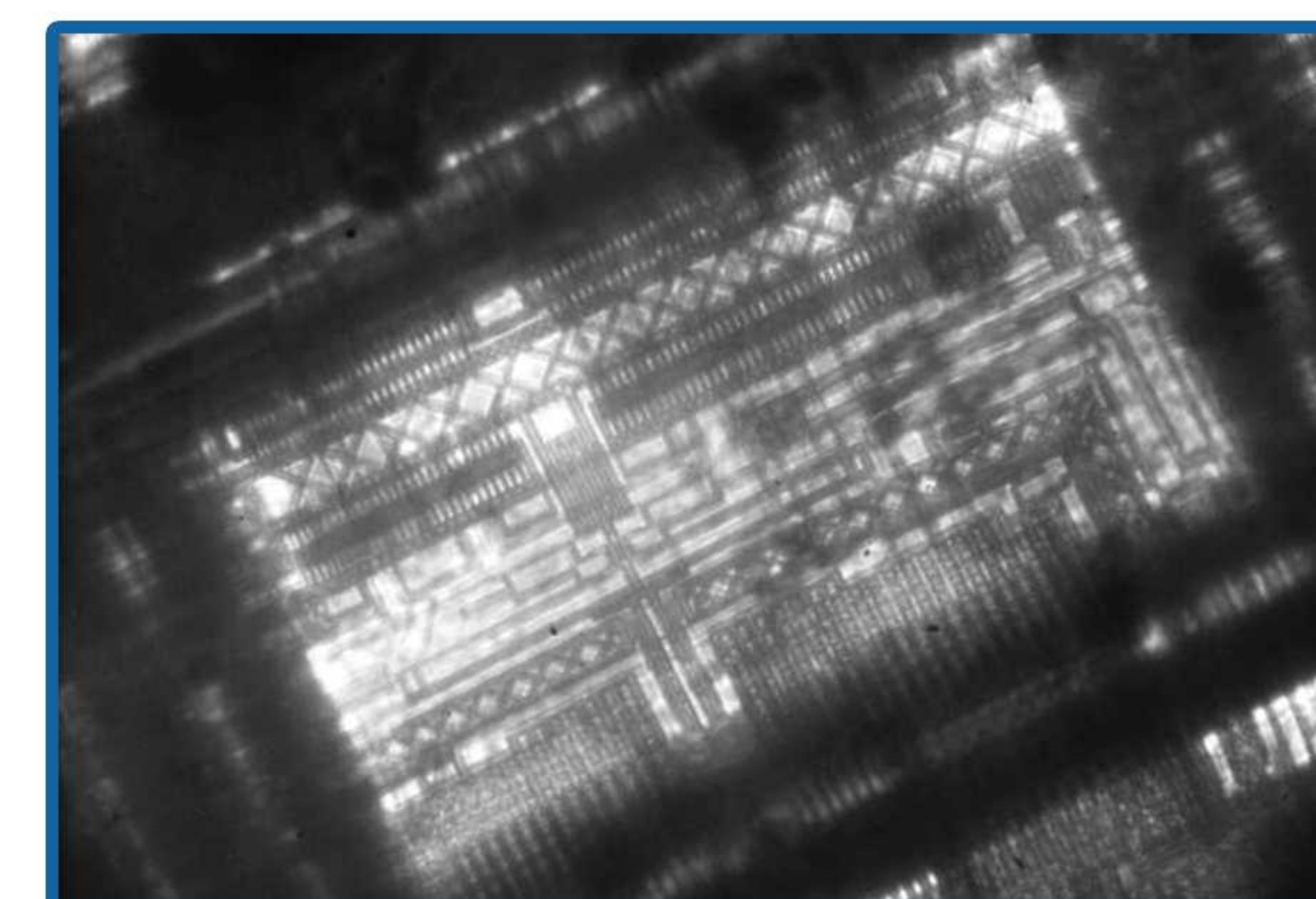
The reflected light source adopts long-life LED(halogen lamp is optional), and the transmitted light source adopts warm color temperature and true color LED design, which can be matched with the Nosepiece to manage the light intensity.



### Light intensity manage

By preset brightness, when switching between different objectives, the light intensity will keep the same brightness in the field of view, and there is no need to manually adjust the brightness of each objectives.

## Expansionable, wide use



### Infrared transmission imaging

By changing the type of transmitted light source, it is possible to photograph the sample in the near infrared (infrared light source + filter).



### Microspectroscopy analysis system

By integrating the spectrometer into the microscope, it can be upgraded to realize the measurement of spectral information such as microfluorescence and microscopic Raman, helping users to quickly test and analyze the microscopic composition.