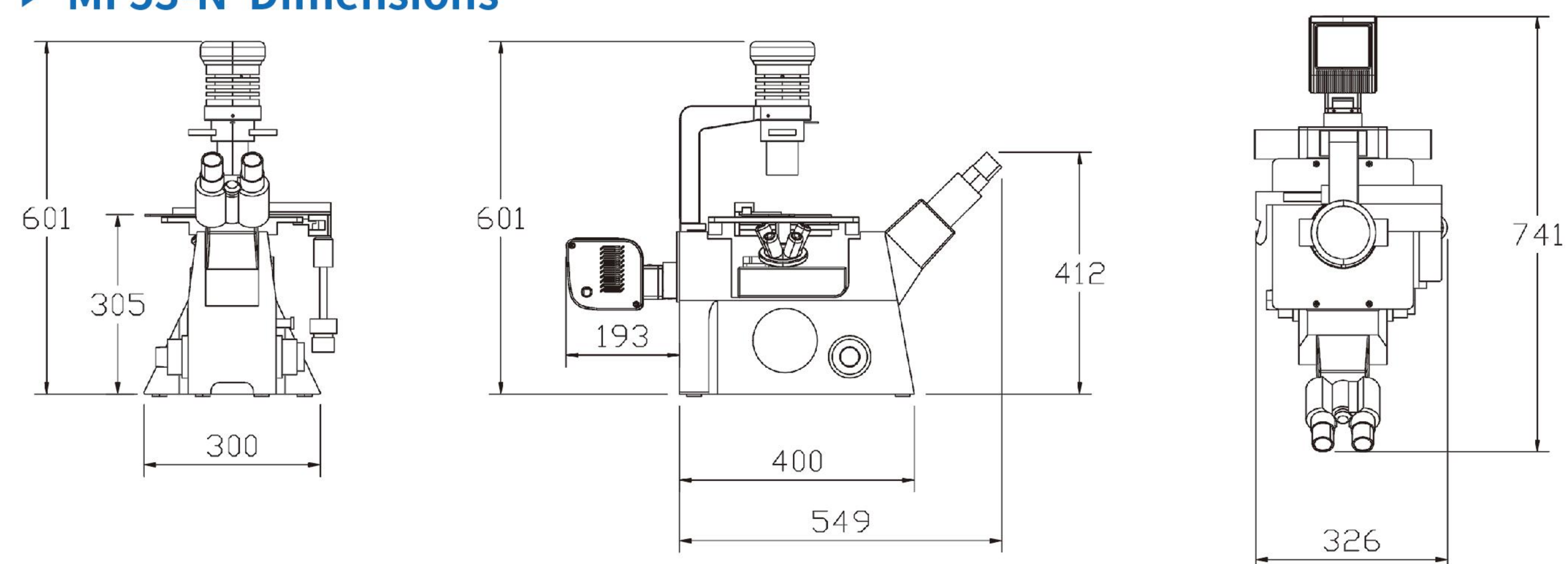


## Product Parameter

Parts	Specification	Standard	Optional	
Eyepiece	Wide Field Plan eyepiece WF10X/23mm, high eye point	•		
	Centering telescope	•		
Observation tube	Binocular observation tube, 45° inclined, pupil distance adjust range 50-75mm, diopter adjustable	•		
Nosepiece	Quintuple revolving nosepiece with bearing inner location and anti-fungus device	•		
Long working distance infinite plan achromat objectives	Bright field	LWD Plan 4X/0.1 WD:11.98mm	•	
		Plan 10X/0.25 WD:4.1mm	•	
		Plan 20X/0.45 WD:5mm	•	
	Phase contrast	Plan 10X/0.25 PH WD:4.1mm	•	
		Plan 20X/0.45 PH WD:5mm	•	
		Plan 40X/0.58 PH WD:2.5mm	•	•
	Semi-apochro mat fluoresce	Plan Fluor 10X/0.3 WD:7.1mm	•	
		Plan Fluor 40X/0.65 WD:1.6mm	•	
		Plan Fluor 4X/0.13 WD:18.5mm	•	•
		Plan Fluor 20X/0.45 WD:5.9mm	•	•
LED fluorescence attachment and illuminating system	100W Broad-spectrum LED light source	•		
	Sixtuple filter cube positions fluorescence attachment	•		
	With 3 filter cubes, available to add and exchange filters	•		
	Filter cube	Filters		
			U EX: 375/30nm; DM: 415nm; EM: 460/50nm	•
			B EX: 475/30nm; DM: 505nm; EM: 530/40nm	•
			G EX: 540/25nm; DM: 565nm; EM: 605/55nm	•
			U-LP EX: 365/50nm; DM: 410nm; EM: 420nmLP	•
			B-LP EX: 475/30nm; DM: 505nm; EM: 510nmLP	•
			G-LP EX: 530/40nm; DM: 570nm; EM: 575nmLP	•
			Y-LP EX: 560/40nm; DM: 600nm; EM: 610nmLP	•
	R EX: 620/50nm; DM: 655nm; EM: 690/50nm	•		
Focus system	Coaxial coarse and fine with limit and locking devices, low coaxial focus adjusting handle, Minimum adjustment gradations: 1 μm	•		
	Fixed stage 240mmX260mm, with low-positioned X/Y coaxial control knob, travel distance 135mmX85mm	•		
Stage	Water drop slide glass holder (Φ118mm)	•		
	Multi-function slide glass holder (76mmX26mm, Φ60mm)	•		
	Multi-function slide glass holder (Φ35mm)	•	•	
	Multi-function slide glass holder (Φ90mm)	•	•	
Transmitted illumination system	Long working distance condenser 72mm, NA 0.30 with triple phase contrast slider 10X/20X/40X	•		
	LED brightness contentiously adjustment	•		
	Black color light shield	•		
Camera adapter	External 1X C-mount adapter	•		

### ► MF53-N Dimensions



Guangzhou Micro-shot Technology Co.,Ltd  
 Add: No.1933 Huaguan Road, Tianhe District, Guangzhou City China  
 Website: www.m-shot.com Email: slaes@mshot.com

# MshOt

## Research-grade inverted fluorescence microscope MF53-N



## Advanced Modular Design

### ▶ Semi-apochromat fluor objectives

Semi-apochromatic fluorescence objectives in high numerical aperture has high clarity and fluorescence transmission offers sharp image both for bright field and fluorescence.



### ▶ Large field of view eyepieces

Equipped with 23mm large field of view eyepiece, 25mm field of view eyepiece optional, which can meet the needs of customers for large field of view observation.



### ▶ 6 cube fluorescence module

It is convenience to exchange filter cubes in turret fluorescence module, satisfy observation of most fluorescence fluorophores.



### ▶ Fluorescence illumination system

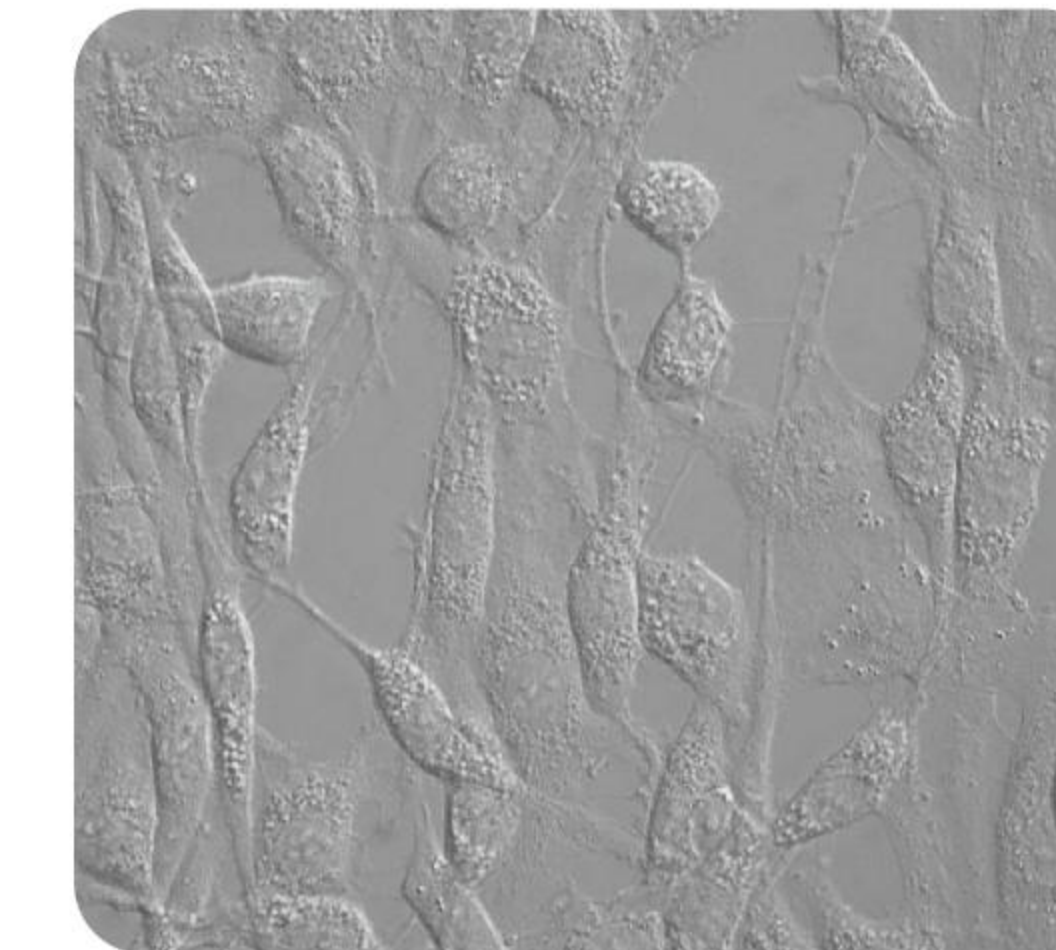
Long working life broad-spectrum LED light source in high power offers enough and even brightness, instant on and off without preheating.



## Meet Multiple Solutions

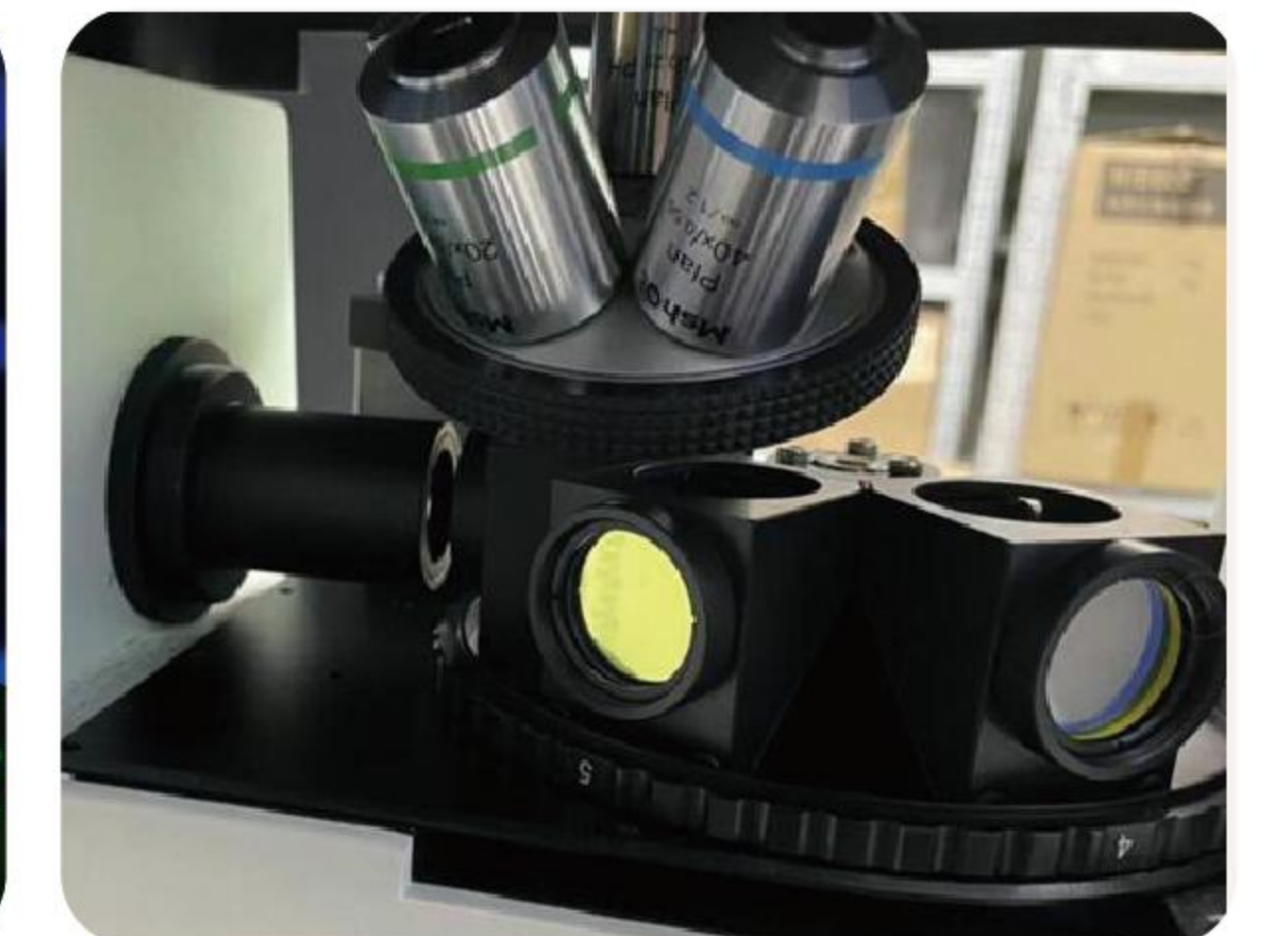
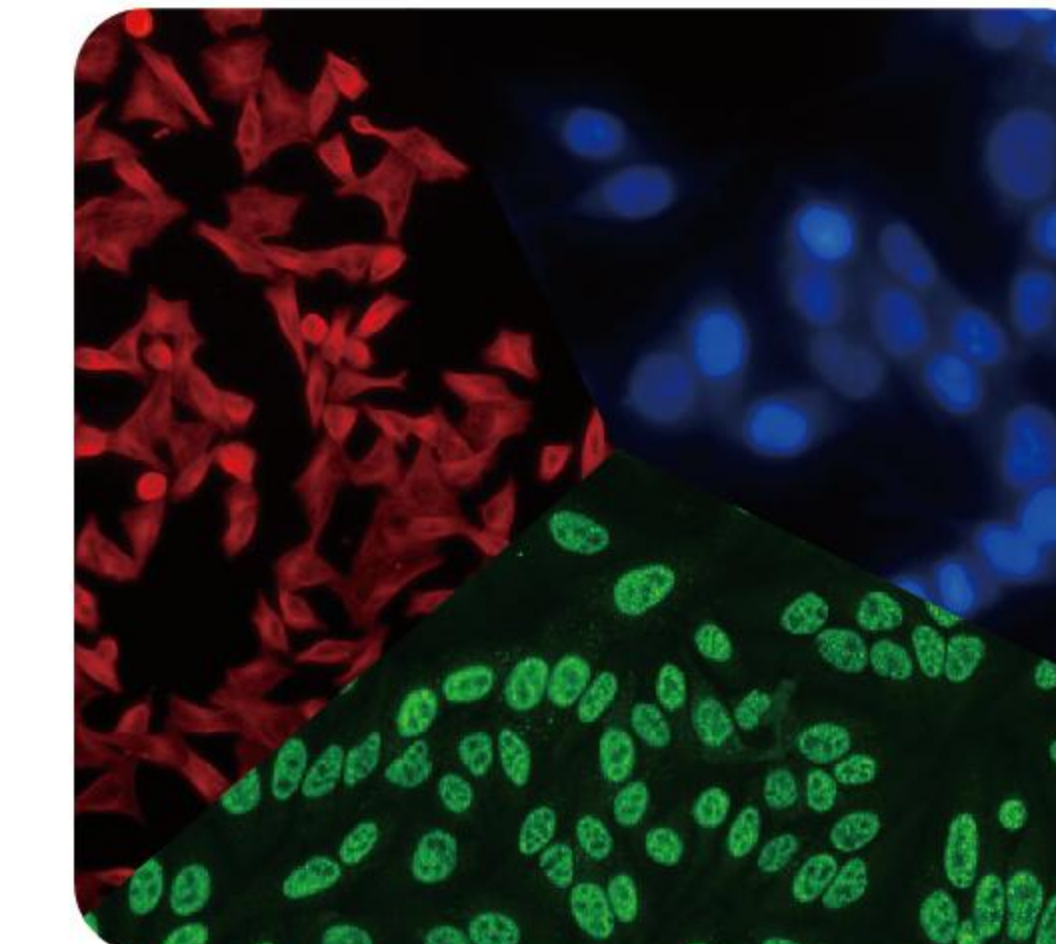
### ▶ Brightfield observation

Take use of LED lighting in high contrast and low radiatio, pre-adjusting optical light center, long working life and easy to use.



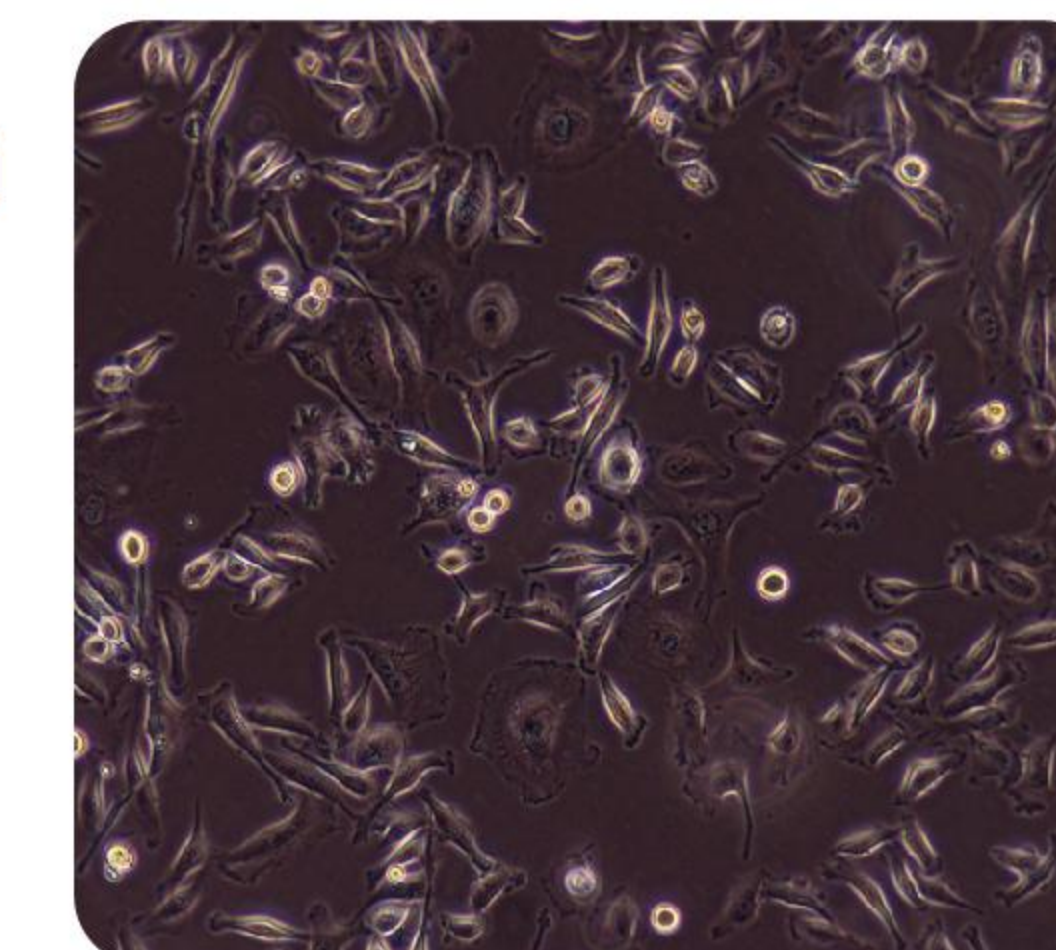
### ▶ Fluorescence observation

Workbale for UV, V, B, G, Y, R colors fluorescence and DAPI, FITC, TRITC and Alexa Fluor series fluorophores and Cy3. Applied to CTC, FRET, cellular immunity and related area.



### ▶ Phase contrast observation

Pull-push design is easy understanding to choose matched phase contrast plate. No need adjust.



Support customized and transformed, combined with laser, analytical spectroscopy, transparent hot stage, etc., and applied to scientific research and testing in the fields of nanomaterials, optoelectronics, etc.

