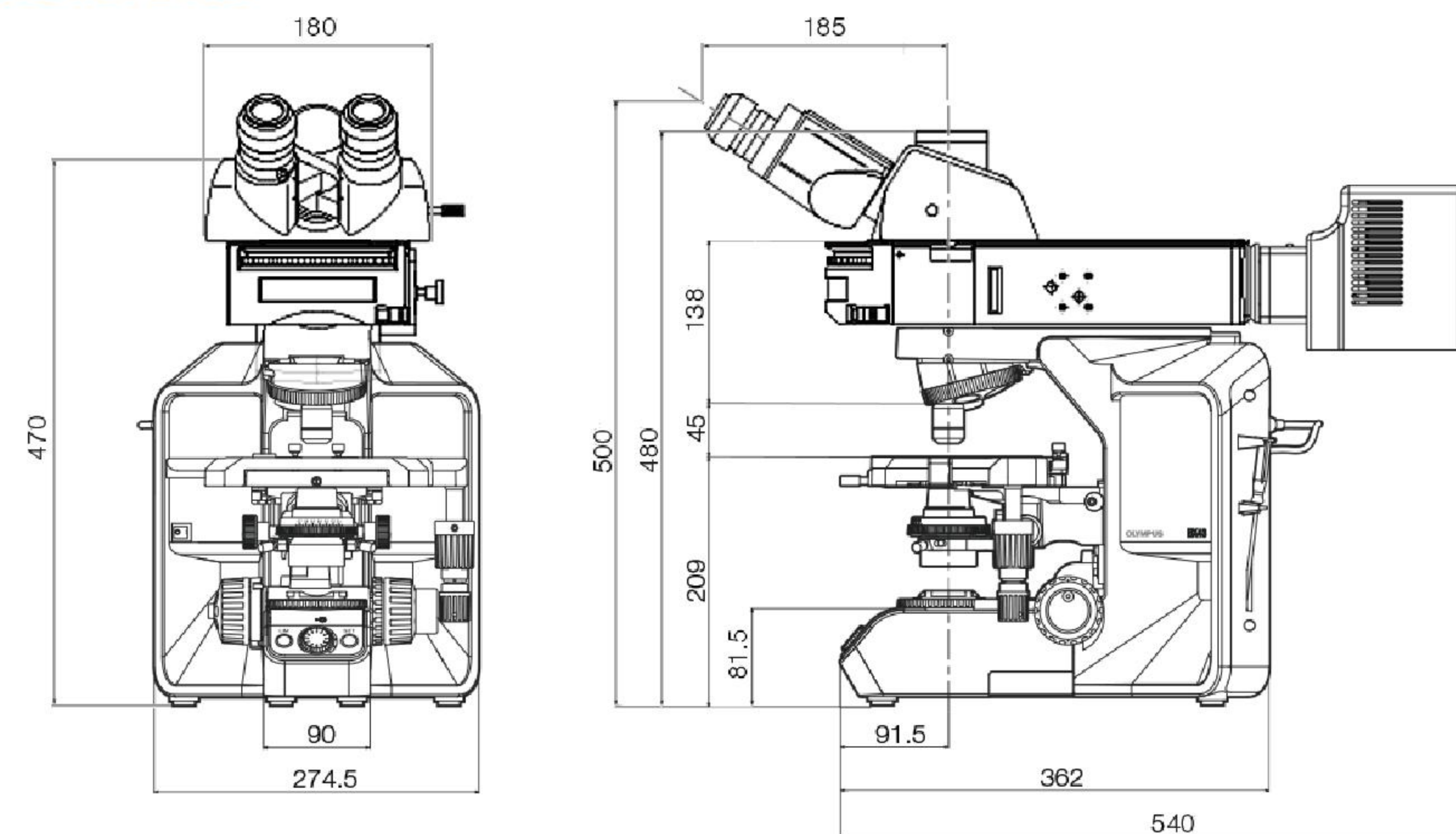


Product Parameter

Microscope frame	Optical system	Universal Infinity-corrected achromat optical system		
	Structure	Original from international famous brand microscope		
Observation	Super widefield trinocular head			
	Wide field eyepiece 10X, FN25,diopter is adjustable			
	Optional eyepiece	10X, FN23.5		
Revolving nosepiece	Interchangeable reversed quintuple nosepiece			
Objectives	Infinity plan semi-apochromatic fluorescence objective M-UPLFLN 4X/0.13 ; WD: 17.15mm			
	Infinity plan semi-apochromatic fluorescence objective M-UPLFLN 10X/0.3 ; WD: 7.68mm			
	Infinity plan semi-apochromatic fluorescence objective M-UPLFLN 40X/0.75 ; WD: 0.78mm			
	Infinity plan semi-apochromatic fluorescence objective M-UPLFLN 100X/1.30 ; WD: 0.15mm			
	Optional objectives	Infinity plan semi-apochromatic fluorescence objective M-UPLFLN 20X/0.50 Plan Fluor 4X/10X/20X/40X/100X Oil		
Epi-fluorescence illumination system	Turret accommodates maximum sextuple filter block cubes			
	Blue, Green and UV filters			
	Digital touch screen LED light control box, AC110V/220V			
	100W broad-spectrum LED light source			
	Filter units	Wavelength		
	FB-U-M	EX:375/30nm,DM:415nm,EM:460/50nm		
	FB-B-M	EX:475/30nm,DM:505nm,EM:530/40nm		
	FB-Y-M	EX:560/40nm,DM:600nm,EM:610LPnm		
	Optional illuminating system	Mercury	100W HG mercury light box, center and focusing distance are adjustable	
			Digital control mercury light control box, AC110V/220V	
Osram HBO 100W DC mercury lamp				
Modular LED		MF-LED fluorescence attachment BGY/BYU/BGUR filters MG120: 4 channels LED illuminator, excitation peak 365nm/385nm/395nm,460nm,520nm/560nm, 625nm		
4 individual channels				
Stage	Ceramic-coated coaxial stage with left or right hand low drive control: with rotating mechanism and torque adjustment mechanism, optional rubber grips available Travel distance 80mm×50mm, 1mm per scale, accuracy 0.1mm			
Focus	25 mm stage stroke with coarse adjustment limit stopper, torque adjustment for coarse adjustment knobs, stage mounting position variable, minimum adjustment gradations: 1 μm			
Transmitted illumination system	Warm white LED lamp, brightness is continuously adjustable Abbe condenser, N.A. 1.1			
Optional adapters	1X/0.5X/0.75X C-mount adapter			

► MF43-N Dimensions



Guangzhou Micro-shot Technology Co., Ltd
 Website : www.m-shot.com
 Email: sales@mshot.com

MshOt

Research-grade upright fluorescence microscope MF43-N



Ergonomic Design, Convenient And Efficient

• Low torque stage

The low fixed stage and objective focusing device improves operation comfort, tiny hand movements can easily adjust the position of the specimen and reduce operation fatigue.



• Light intensity management

The light intensity management sets the light intensity matching with different objectives. From low to high times it keeps the same brightness of field of vision. No need to adjust the light intensity manually and repeatedly.



• Sextuple fluorescence module

Matched with high-quality band-pass filter group, high performance filter can make fluorescence observation more efficient, bright and even. The filter groups can be replaced without tools.



• Observation tube

Wide-field trinocular tube with an inclination angle of 30°. FN25 ultra-wide field of view eyepiece can meet the needs of different scenarios.



• Fluorescence illuminating system

Long life, wide spectrum and high power LED light source, not only brightness is uniform but also is easy to maintain. Covers the wavelength range of 350nm-740nm, which can be turned on or off without preheating.



• Semi-Apochromat FLN objective

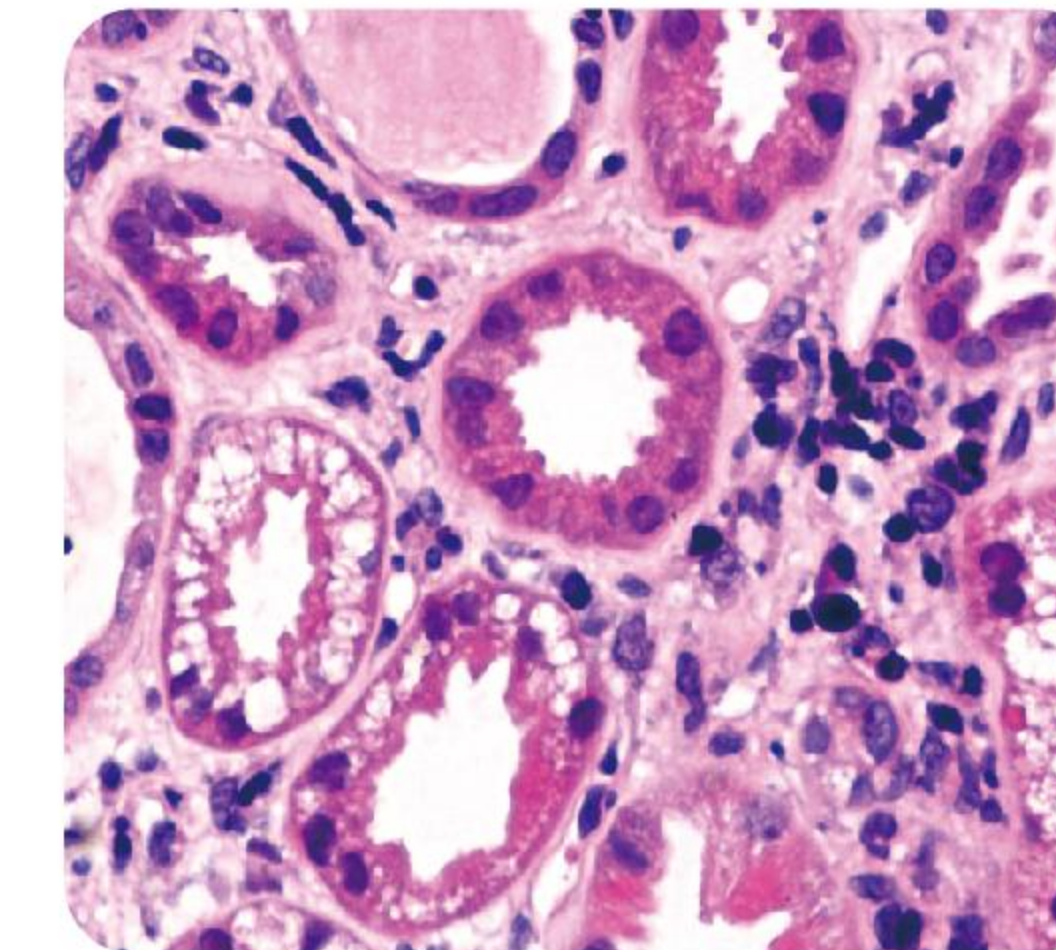
Specially designed for high resolution and high contrast imaging, the fluorescence performance of high sensitivity ensures the sharpness, clarity and color reduction of the collected image.



Advanced Design Suitable For Multiple Observation Methods

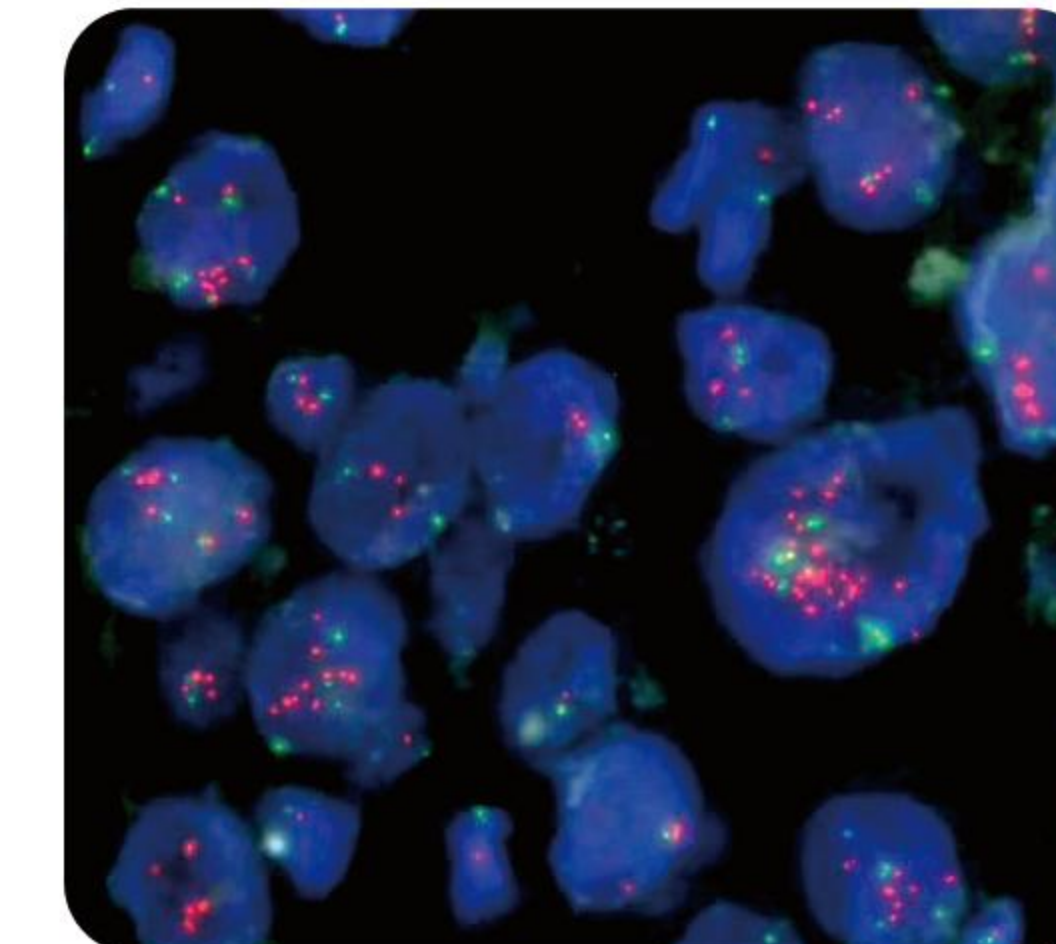
► Brightfield observation

With high quality U-AC condenser for 20X-100X (oil) continuous observation, all magnification can achieve higher resolution and flat view.



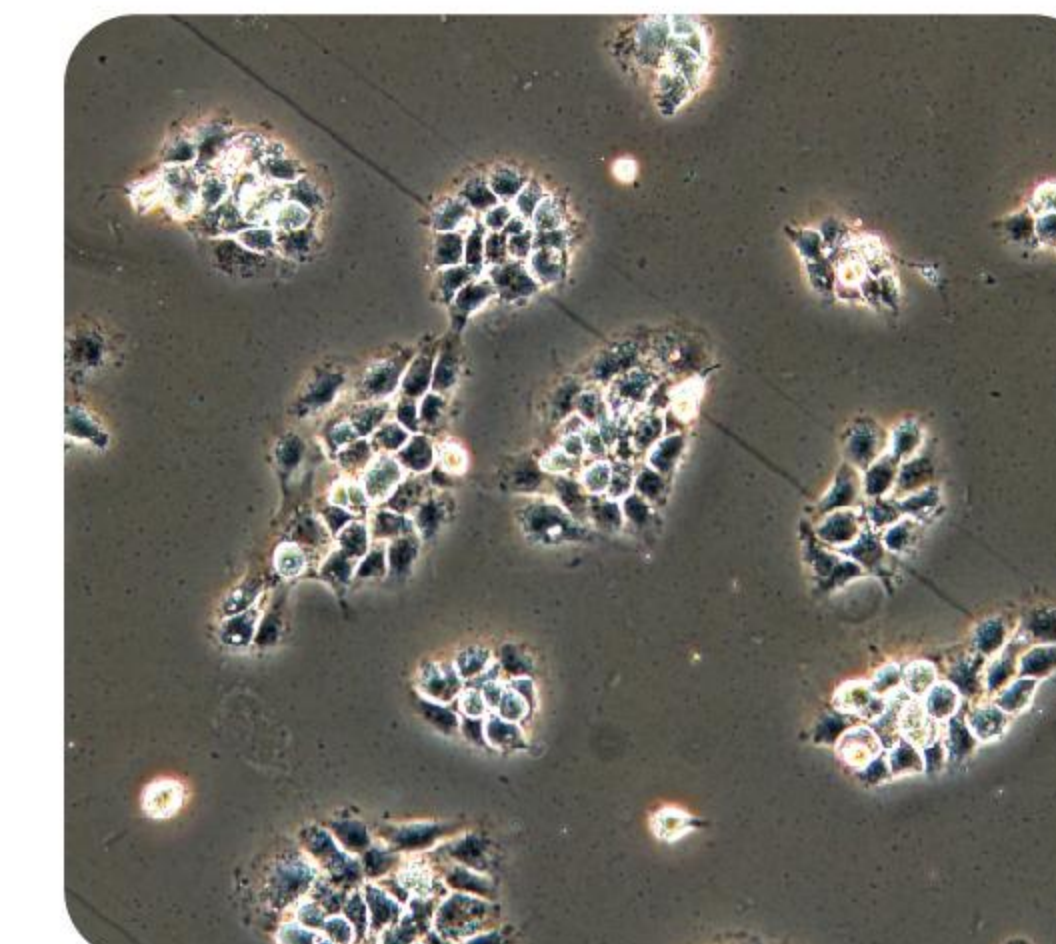
► Fluorescence observation

6-hole turntable fluorescent module supports replace the filter block independently, which has a wide range of applications and high signal-to-noise ratio. It is suitable for fish, fret or CTC detection fields.



► Phase contrast observation

The contrast image with high contrast can be used to observe the cell and living bacteria in close range and observe the phase difference effect of the specimen.



► Dark field observation

Show perfect dark field performance from low times to high times in fine details and can meet the observation requirements of biological tissue tiny details.

