



Guangzhou Micro-shot Technology Co., Ltd

Inverted LED Fluorescence Attachment

**MI-BG(U)-LED
IX51/IX71
User Manual**

Website: www.m-shot.com

Email: sales@mshot.com

I. Components

No.	Name	Quantity	Unit
1	Attachment body	1	set
2	Power adapter	1	piece

II. Specifications

B excitation group	EF 480/40nm; DM LP505nm; EM LP520nm
G excitation group	EF 530/40nm; DM LP570nm; EM LP590nm
UV excitation group	EF 350/50nm ; DM LP400nm; EM LP425nm
Light source	3W LED cold light
Observation	Fluorescence, bright field
Transfer mode	Pull-push at three positions (Blue, green, bright field)
Brightness adjustment	1.Continuous adjustment 2.100%, 75%, 50% brightness set
Input power	DC 4.2V 2A
Matched microscope	Olympus IX51, IX71

III Installation

1. Unpack MI-BG(U)-LED illuminator and power adapter.
2. If the microscope already has attachment under the condenser, please take it off. Find the plastic box on right hand of the microscope as image 01 and take off it slightly.

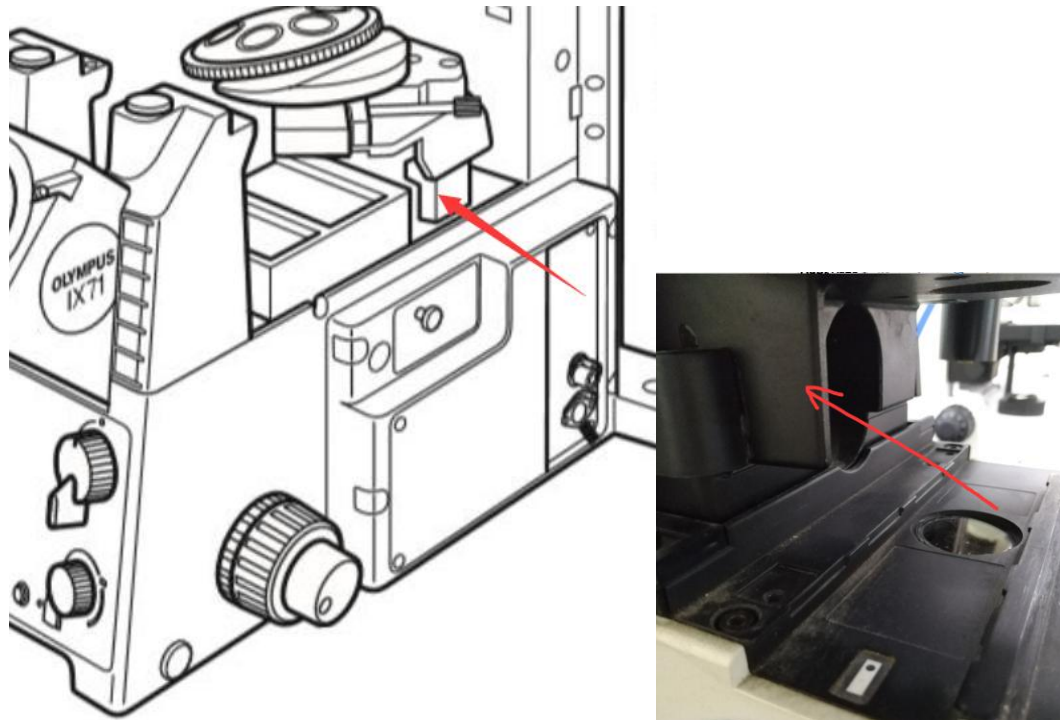


Image 01

3. Insert in the illuminator from the left side of the microscope bottom body as image 02 and image 03, notice to match slider rail on the illuminator bottom with the microscope rail.

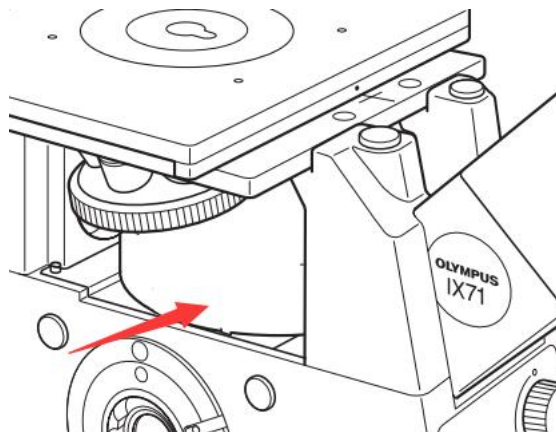


Image 02



Slider rail



Image 03

4. Check the lock screw on right of microscope body as image 04 if the screw is locked, if not please lock it slightly with allen driver.

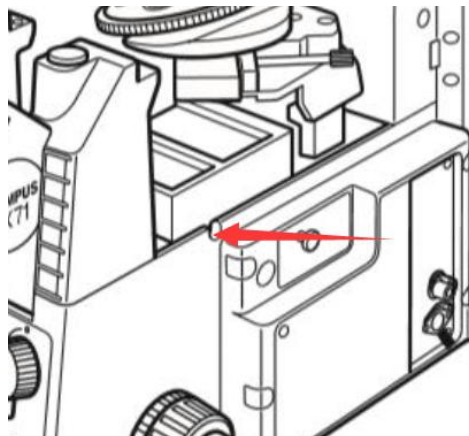


Image 04

Well done image 05

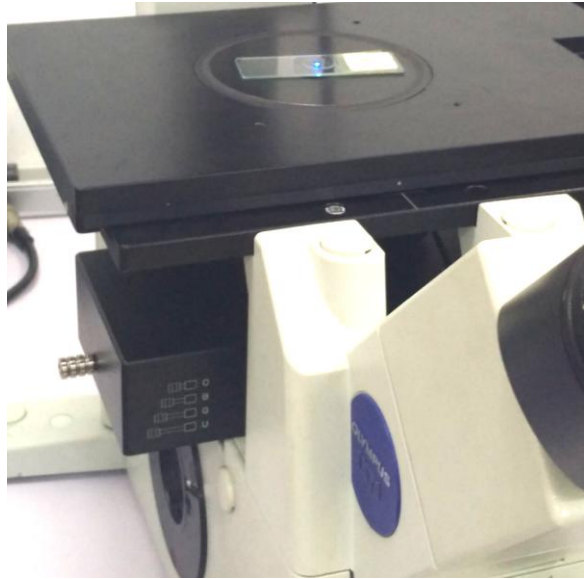


Image 05

5. Connect power adapter to the illuminator and power on. Open to use.



Brightness control knob

Power adapter DC port



Fluorescence color control lever

IV Note

1. The button opened default as the max brightness. Continuous pressing button, brightness is adjusting continuously.
4. Push or pull lever to change fluorescence filter cube among blue, green, UV and bright field. UV and bright field use the same channel.

(Before fully pull out lever for bright field observation, please close the brightness knob first.)