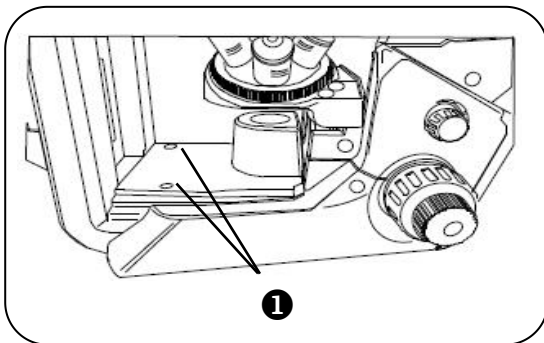
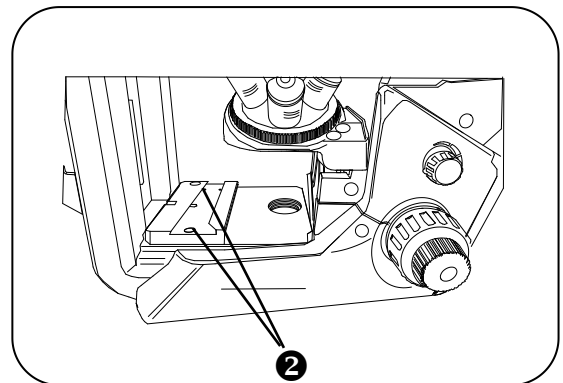


Components

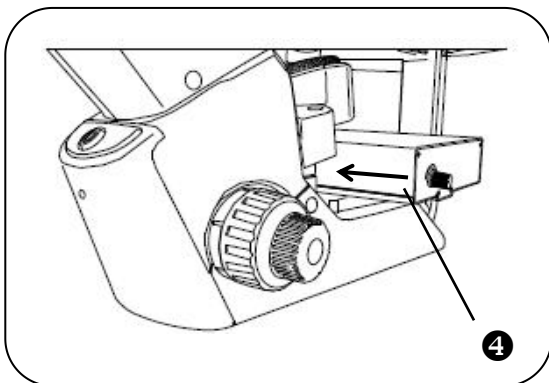
Installation steps:



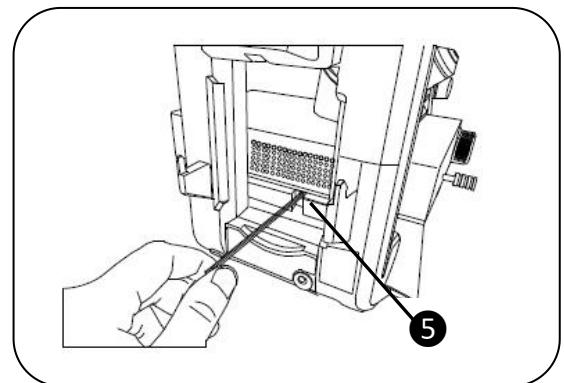
1 Adjust the coarse focusing to raise objective, take out the two screw hole plugs on the bottom plate, and loosen the screws with an hexagonal screwdriver to remove the bottom plate.



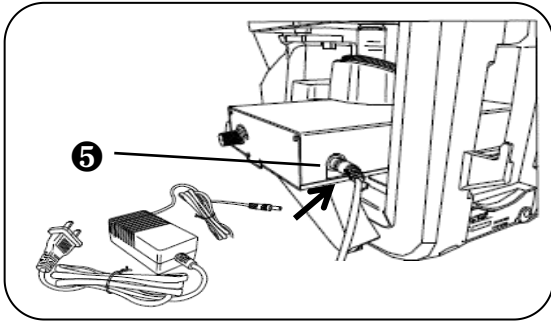
2 Place the fluorescent module fixed base plate on the microscope base, and tighten the screws to fix the base plate on the microscope.



3 Slowly push in the fluorescence module along the rail on bottom plate.

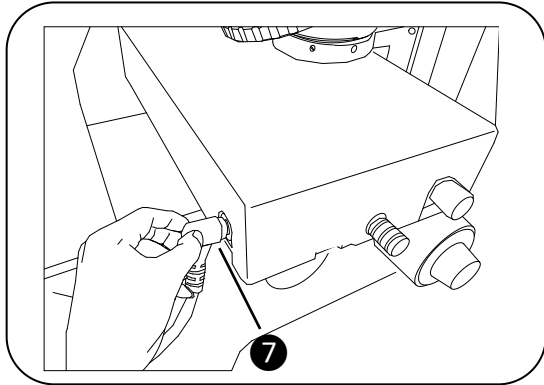


4 Tighten the screw behind the fluorescent module fixing base plate with hexagon screw driver to fix the fluorescent module on the microscope.

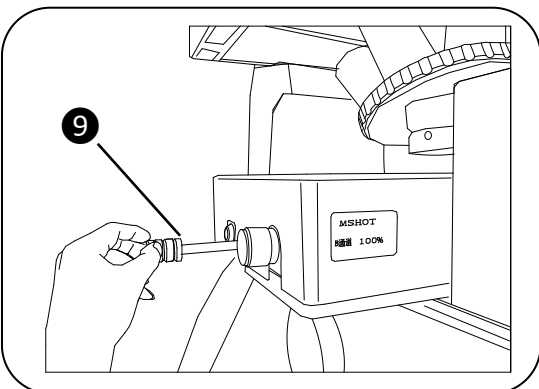


- ⑥ Plug in the power adapter and power on.
Installation is finished.

Using steps:

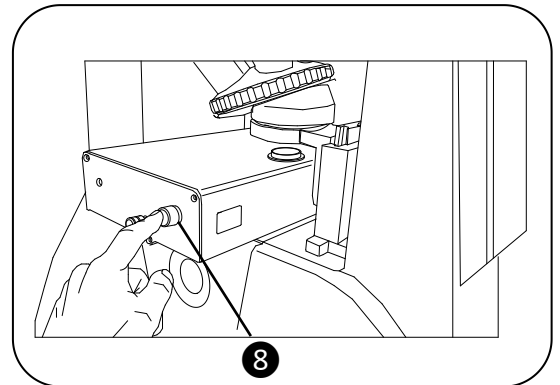


- ⑦ After connecting the power cord, the digital display screen will light up and display "off".

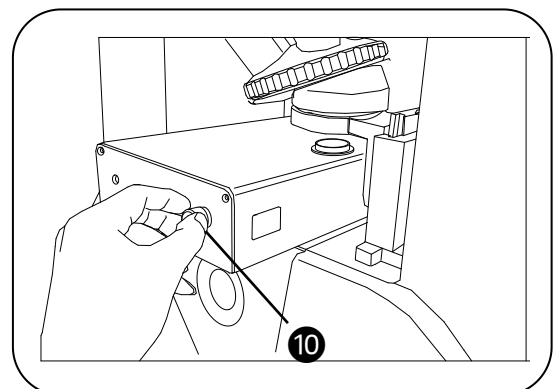


- ⑨ Push and pull the switch lever to switch different fluorescent channels (O/B/G/U) according to needs, and the current fluorescent channel name will be displayed on the digital display screen in real time

Note: O is for bright field



- ⑧ Press the brightness adjustment knob once, and the light source has been turned on when you hear a click. It defaults in the neutral "O" state at the first time open, the digital display screen will display 'O'.



- ⑩ Rotate the brightness adjustment knob to adjust to the appropriate brightness of 0% - 100%

Note: Press the brightness adjustment knob once it turn off the fluorescence temporarily.

