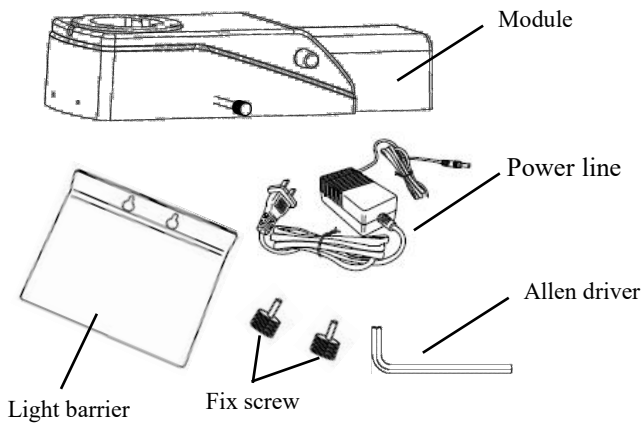
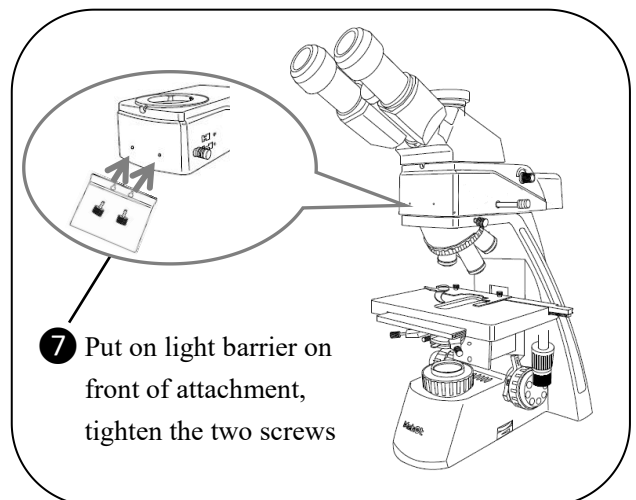
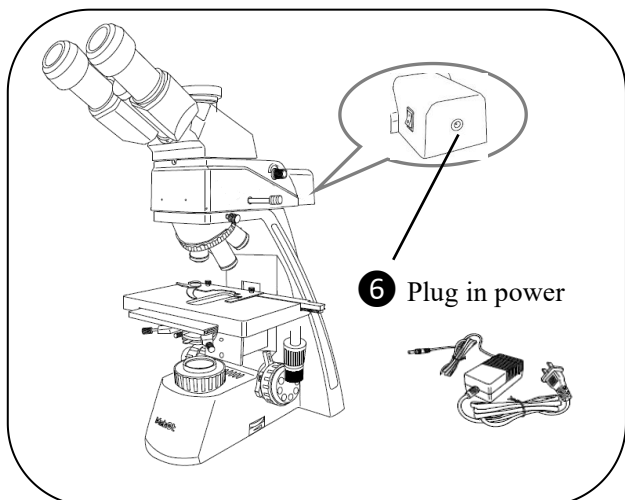
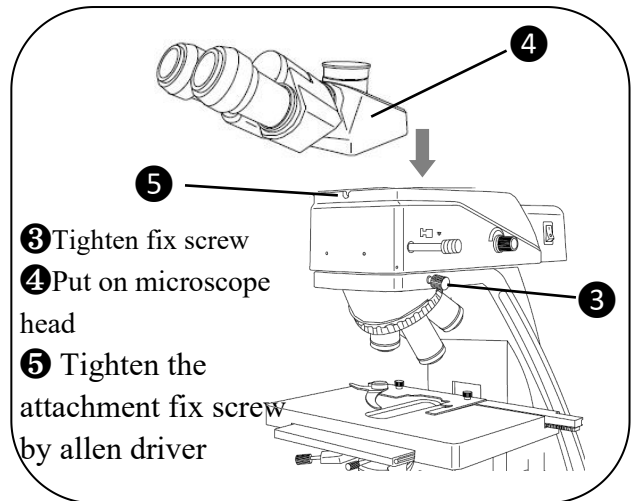
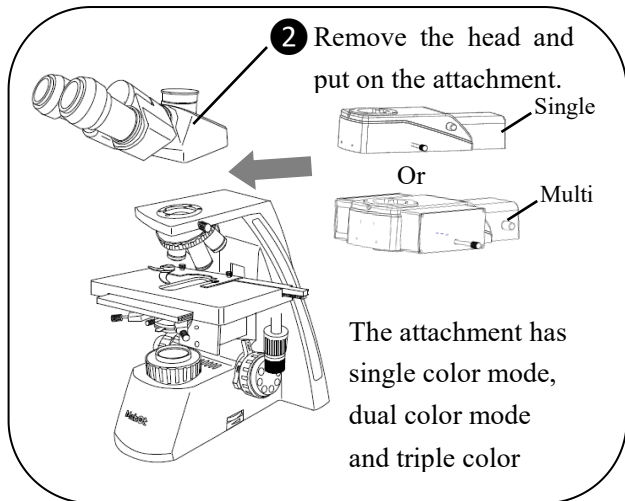
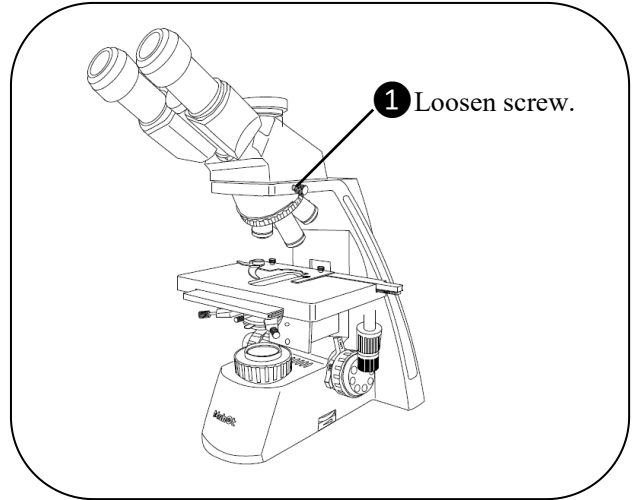


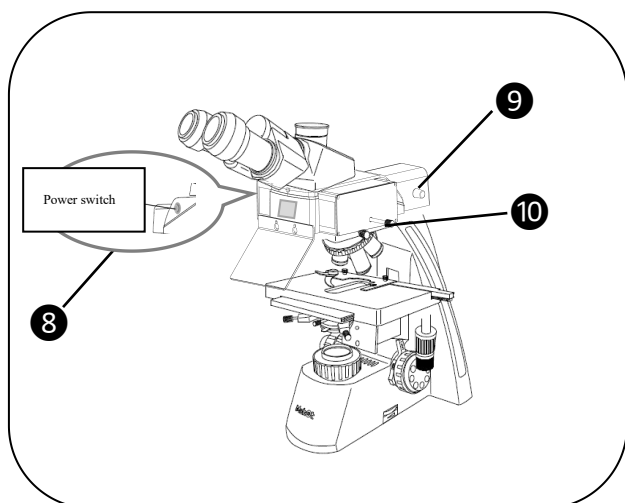
Components:



Installation step:



Using:



⑧ Press on the power switch, screen will light on and show 'OFF'.

⑨ Press the brightness adjustment knob once, and the light source has been turned on when you hear a click. It defaults in the neutral "O" state at the first time open, the digital display screen will display 'O'.

⑩ Push and pull the switch lever to switch different fluorescent channels (O/B/G/U) according to needs, and the current fluorescent channel name will be displayed on the digital display screen in real time

Note: O is for bright field

When observing bright field please set light channel to O/UV

