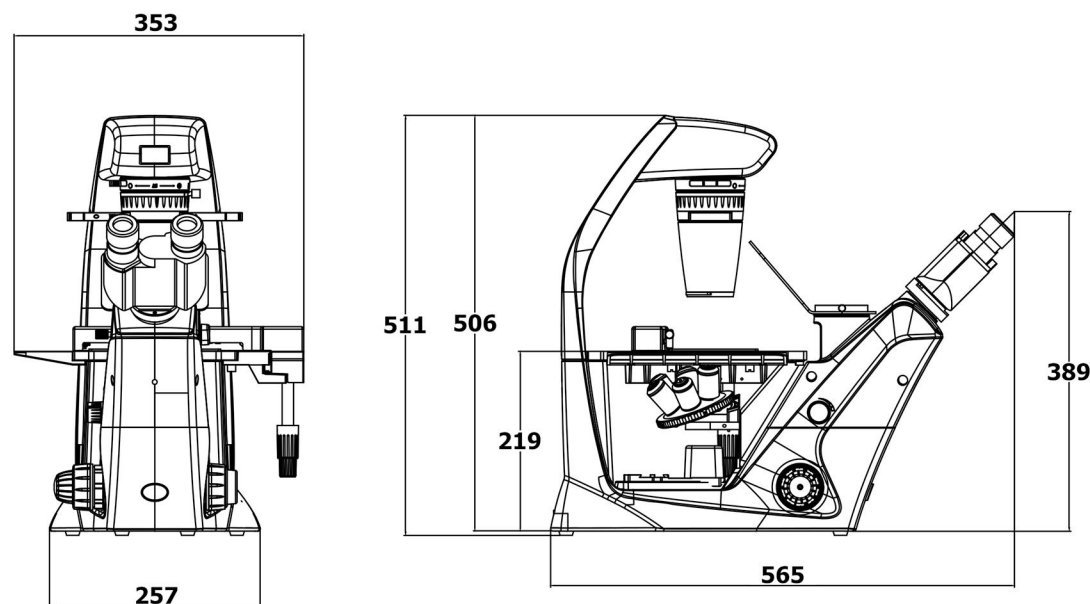


Technical parameters

Inverted microscope MIX60 specifications

Items	Specifications
Eyepiece	Large field of view WF10X/23mm, high eye point, adjustable diopter, centering telescope
Eyepiece tube	45° tilt, interpupillary distance adjustment 50-70mm, body split ratio 100:0 or 0:100
Objective lens	Long working distance plan achromatic objective lens 4X Long working distance plan achromatic phase contrast objective lens 10X/20X/40X PH
Focusing mechanism	Coaxial coarse and fine adjustment, equipped with limit device and locking device, low hand position coaxial focusing handwheel, fine adjustment handwheel grid value 2 μm
Nosepiece	Five-hole internal positioning converter, ball bearing internal positioning, anti-mildew device
Stage	Fixed stage size: 267.4mmx271.4mm Mechanical movement, movement range: 110mmx75mm Round transparent drip plate: 118mm
Petri dish tray	Universal sample holder, can match glass slides and different petri dish sizes
Transmitted illumination system	Push-pull plate phase contrast condenser, NA0.3, working distance 72mm 3W full-spectrum white LED, continuously adjustable brightness
Phase ring plate	One 10X phase contrast ring, one 20X/40X phase contrast ring
Digital display screen	The current objective lens magnification and brightness are displayed, and the brightness can be memorized
Optional accessories list	
Fluorescence observation	Multi-color digital display LED fluorescence accessories (up to four colors, UV/B/G/Y/R and other bands are optional, and can also be customized) Plan semi-apochromatic fluorescence objective lens 4X/10X/20X/40X Rotating fluorescence extinction plate
Objective lens	Long working distance plan achromatic phase contrast objective 4XPH Long working distance plan achromatic objectives 10X/20X/40X

Product dimensions



Guangzhou Micro-shot Technology Co.,Ltd.

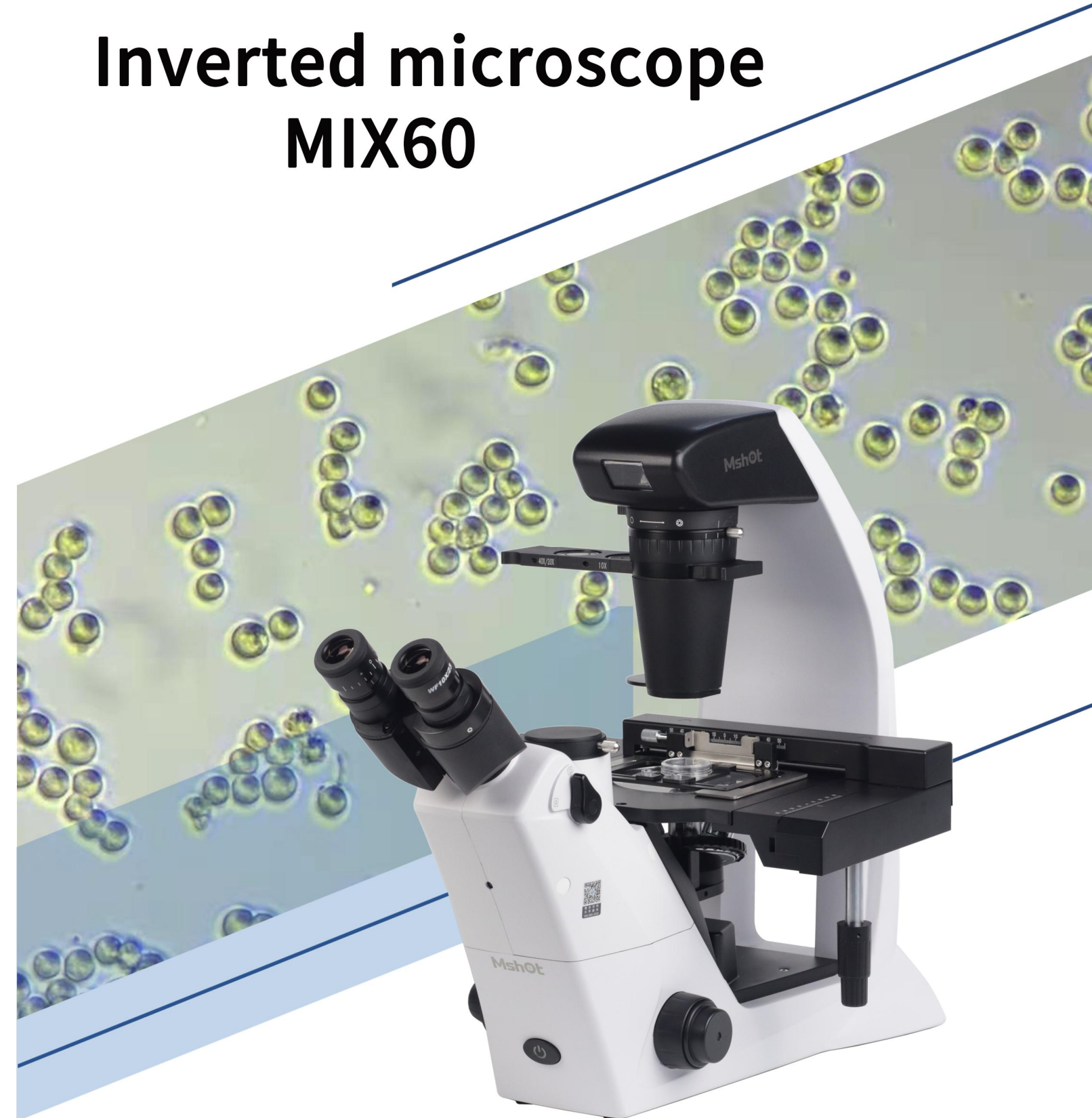
Phone:(86)-020-38262481/38250606Fax:(86)-020-38262491

Head office: Room A-506 Vanke Cloud, 1933 Huaguan Road, Tianhe District, Guangzhou, 510640 China

Website:www.mshot.com Email:sales@mshot.com

Any changes in specifications and appearance are subject to change without prior notice.

Inverted microscope MIX60



Microscope imaging system solution provider

Professional cell and tissue culture solutions

High rigidity all-aluminum alloy body. The center of gravity is stable, the shock proof performance is strong, and the scalability is good, providing a stable imaging platform for professional cell tissue culture.



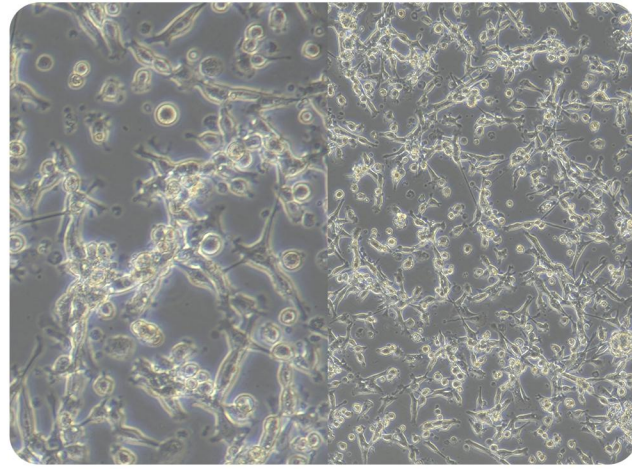
High rigidity host

Expandable extra large stage. The size can be expanded up to 351mmx251mm, and the universal sample clamp can be flipped to provide a larger flat space for placing large petri dishes or samples to be tested.



Expandable stage, reversible sample holder

High quality phase contrast observation. The infinity optical design, optimized through repeated iterations, provides clear, sharp and detailed imaging for cell imaging.



20X phase contrast, 10X phase contrast

Widely adaptable to various culture containers. The universal sample clamp can match culture bottles or petri dish samples of different shapes and sizes, and the detachable 72mm ultra-long working distance condenser can support observation of 10-layer cell factories.



Widely adaptable to various culture containers

Worry-free intelligent use experience

ECO light-off function when people leave. Embedded with a new type of sensor, the light source can be set to automatically turn off after a certain period of time when no one is using it, so that the lights turn off when people leave and turn on when people come. This saves power and extends the life of the light source, making users and laboratory managers more worry-free.



Embedded new sensor

Quantifiable digital display. The fuselage is with OLED digital display screen, which can both display the status of the RIM light intensity manager, ECO human walking light off function, and prompt the objective lens type, magnification and quantified light intensity info, which is fit for comparison experiments and quantitative experiments.



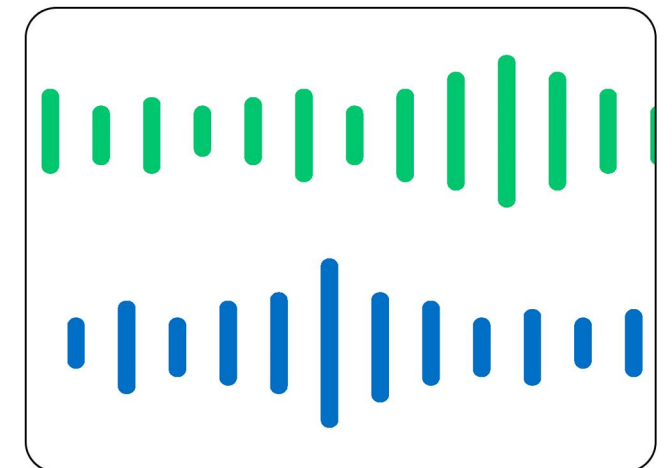
Digital display screen prompts the objective lens magnification and light intensity

Coded nosepiece. The objective turntable switching can be linked with the Mshot imaging software to realize automatic switch of objective lens magnification info, software ruler, light intensity and imaging parameters. It also has dual prompts of voice prompts and digital display screen, making it easy to use.



Five-hole coded nosepiece

Voice broadcast interactive function. It has such function. When objective lens is switched, the type and magnification of the objective lens are automatically announced, making switching objective lenses more easy. Operating procedures and precautions are also broadcast, making it easy to get started.



Voice broadcast interactive function

Ergonomic design enables efficient work



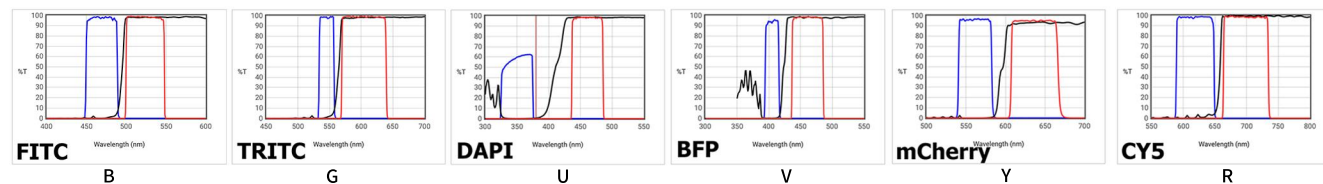
- ▶ Easier to use control switches. The light source switch, light intensity control, adjustment mechanism and light splitting switch are all set at the front of the fuselage, closer to the user. The large buttons and knobs can be controlled by touch and are convenient to use.
- ▶ Ergonomic observation experience. The observation head is tilted at 45°, with adjustable interpupillary distance and diopter. The digital display screen is set at eye level for easy reading. The low-hand position coarse and fine adjustment coaxial focusing mechanism and XY coaxial moving handle ensure the comfort of long-term use.
- ▶ Greater visibility for greater productivity. Wide-field planar eyepiece, up to 23 fields of view, wide and flat field of view, higher work efficiency. The eyepiece/camera is switched toggled, so it can be operated by touch without visual sight.

Details optimized for cell culture applications



- ▶ Larger workspace. The detachable 72mm ultra-long working distance condenser provides users with a larger operating space for micromanipulation or placement of tall culture vessels such as cell shake flasks and cell factories to achieve contamination-free observation.
- ▶ Clear and true imaging. It adopts full-spectrum white LED light source with constant color temperature and precise brightness control. It comes standard with 5 plan achromatic objectives and phase contrast objectives to meet the needs of bright field and phase contrast observation. The image is clear and the colors are restored to true. It can also be upgraded to plan field. Semi-apochromatic (phase contrast) objectives improve imaging effects.
- ▶ Supports phase contrast observation at multiple magnifications. The condenser is equipped with a push-pull switching phase contrast insert plate, which can be used with phase contrast objectives of three magnifications: 10X, 20X, and 40X to achieve phase contrast observation, allowing unstained living cell samples to show clear shapes and details.
- ▶ Meet a variety of observation needs. The side of the condenser is equipped with a plug-in color filter holder, which can place different color filters to achieve different observation effects. It can also be upgraded to polarized observation to meet more observation needs.

Support upgrade to inverted fluorescence microscope



Many fluorescence parameters available

- ▶ More convenient and easy-to-use LED fluorescence excitation. A digital display LED fluorescence module can be installed to realize three-color fluorescence excitation observation. The LED light source is embedded in the module, eliminating the need for cumbersome external light boxes and troublesome preheating waiting. It can be turned on and off at any time.
- ▶ More fluorescence parameter choices. It comes standard with four-channel three-color fluorescence, and various configurations such as BGUYRV are optional. The excitation block and light source can be easily switched through the pull rod, and electric three-color or even four-color configurations can also be selected.
- ▶ More intuitive and easy-to-use digital display LED screen. The module comes with an OLED digital display screen, which intuitively presents the excitation channel and light intensity currently in use, and the independent memory of the light intensity of each channel improves the observation efficiency of multi-color fluorescence imaging.
- ▶ Fluorescence imaging with higher signal-to-noise ratio. The brightfield condenser comes with a fluorescence shield, which can effectively reduce the background fluorescence caused by the reflection and concentrator of the condenser, forming a darker background and improving the imaging signal-to-noise ratio.

Expandable multiple observation methods

Observation methods	Bright field	Phase contrast	Fluorescence	Polarizing	Huffman
MIX60	●	●	●	●	●

