



ML11

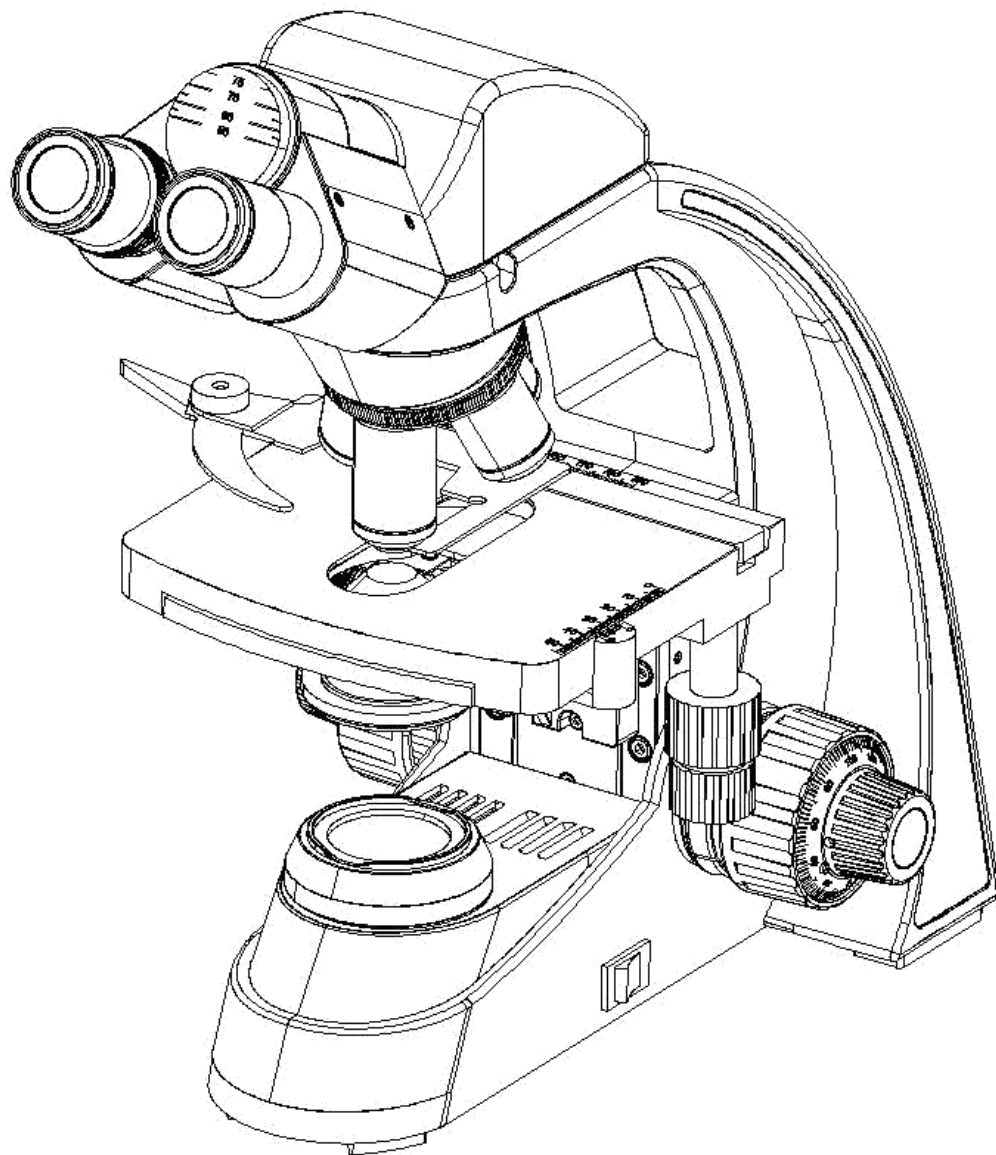
Biological microscope

User manual

Guangzhou Micro-shot Technology Co., Ltd

www.m-shot.com

Sales@m-sho.com



Content

I. Introduction.....	1
II. Maintenance and service.....	1~2
III. Safety signs.....	2
IV. Data sheet.....	2
V. Microscope structure.....	3
VI. Installation.....	4~6
1. Installation diagram.....	4
2. Installation steps.....	4~6
VII. Use of microscope.....	7~10
VIII. Troubleshooting.....	10~11

Welcome to use ML11 biological microscope!

ML11 series biological microscope is widely used at biology and medical university laboratory, medical treatment and public health, scientific study instrument, etc.

This unit is a precision optical instrument. Our product has been design to provide the highest level of safety, however, improper operation or negligence in following the instructions in this manual may cause personal injuries and property losses. In order to ensure your safety, prolong the life of this unit and maintain it properly, please read this manual carefully before operating this unit.

Safety Reminder



Warning!

1. Be sure to turn off the power switch and remove the power cord before installing this unit, replacing the bulb or fuse, plugging and unplugging the power supply.

To prevent electric shock or fire, be sure to turn off the power switch and remove the power cord before installing this unit, replacing the bulb or fuse, plugging and unplugging the power supply.



Warning!

2. Do not disassemble

Except the removable parts mentioned herein, no part of this unit shall be removed, otherwise the performance of this unit may be reduced, or may cause an electric shock, injury or damage to this unit. Please contact the supplier if

any fault occurs.



Warning!

3. Input voltage

Check if the input voltage is consistent with your local voltage supply. If not, do not operate this unit and contact the supplier. Improper input voltage may cause a short circuit or fire thereby causes damage to this unit.



Warning!

4. Use specific bulb, fuse and power cord

Use of an improper bulb, fuse or power cord may cause damage or fire to this unit. Any extended power cord used must be grounded (PE).



Warning!

5. Protect this unit from high temperatures, dampness and foreign objects

To prevent short circuit or any other fault, do not expose this unit to any high temperatures or dampness environment for a prolonged period of time. A suitable operating environment is designated at a temperature of 5°C-35°C, and relative humidity of 20%-80% (at 25°C). If water splashes on this unit, turn off the power switch and remove the power cord immediately, and then wipe the water off with dry cloth. When any foreign object enters or drips onto this unit, please stop operating the unit and contact the supplier.



Warning!

6. Heat of light source

The lighting bulb generates high temperatures during operation. Do not touch the collector lens or lamp box when the lamp is illuminated, and do not touch the bulb within 10 minutes after the lamp goes out due to high temperatures arising from operation. When replacing the bulb, make sure it has cooled down properly (the lamp should be off for at least 10min).

- ★ To prevent burn, do not touch the bulb when the lamp is illuminated or within 10min after it goes out.
- ★ To prevent fire, do not place any fibrous product, paper, flammable or explosive material (e.g., gasoline, petroleum ether, alcohol) near the halogen lamp housing or mercury lamp housing.



Warning!

7. Coarse/fine focusing knobs

This unit employs a coarse/fine coaxial focusing mechanism. Do not turn the left/right coarse/fine focusing knob in the opposite direction. When the objectives lifting device reaches the limit of motion, do not continue to turn the coarse focusing knob, otherwise the focusing mechanism may be damaged.



8. Storage place

This unit is a precision optical instrument, and improper operation or storage may cause damage or its precision may be adversely affected. Consider the following when selecting a storage place:

- ※ Avoid placing the unit under direct sunlight, directly under interior lighting or any other bright place.
- ※ A suitable operating environment is designated at a temperature of 5°C-35°C, and relative humidity of 20%-80% (at 25°C). Do not expose this unit to high temperatures, dampness or dust for a prolonged period of time, otherwise mist or mold may develop or dust may deposit on the lens, thus cause damage to this unit and shortening its life.



9. Installation of bulb

Do not touch the glass surface of the bulb directly with bare hands. When mounting the bulb, wear gloves or wrap it with cotton material.

- ※ Wipe off any dirt on the surface of the bulb with a clean cotton fabric dipped in alcohol. If the dirt is not thoroughly removed, it would etch the surface of the bulb weakening its brightness and shortening its life.
- ※ Mount the bulb with care to avoid slipping off or injuries to your fingers.
- ※ When replacing the bulb, make sure its contact is intact. If its contact is damaged, the bulb may be disabled or short-circuited.
- ※ When replacing the bulb, the feet should be inserted into the holder as deeply as possible. If the feet are not tightly inserted, the bulb may go out or short circuit.



10. Instrument handling

This precision optical instrument is heavy and should be handled with care. Strong impact and rough handling are strictly prohibited, it may cause damage to this unit.



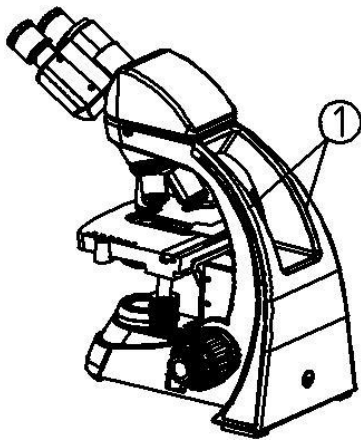
11. Environmental protection

Please dispose the wastes from the packaging and operation of this unit by category such as cartoon, foam, plastic, bulb and etc. Do not discard the damaged mercury lamp carelessly in order to avoid creating environmental poll

I.Introduction

Biological microscope ML11 is a basic optical microscope equipped with plan achromatic objectives and wide field eyepiece, featured with clear view, wide field and easy operation. It is quite popular for teachers and students to achieve interactive teaching on biology science. The biological microscope is widely used in the fields of biology, agriculture and it is an ideal instrument for education departments.

Attention



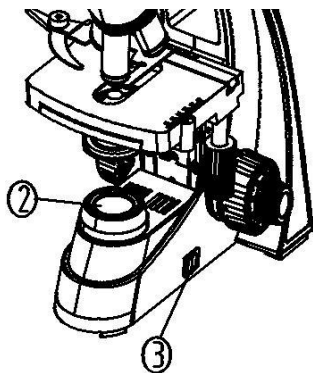
1. Microscopes are precision instruments, which should be operated carefully to avoid physical vibration as much as possible.

2. Avoid placing the microscope in direct sunlight, high temperature or high humidity, dusty, etc. And places prone to strong vibration, to ensure that the working surface is flat and level. Working environment requirements: room temperature $5^{\circ}\text{C} \sim 40^{\circ}\text{C}$, maximum relative humidity 80%.

3. When moving the microscope, hold the handle ① of the microscope arm with both hands, and be careful to place. (as Figure 01)

★ if you grasp the stage, focusing knob and observation cylinder of the microscope when moving the microscope, it will damage the microscope.

Figure 01



4. During operation, the surface of the light collecting will become very hot. Ensure that the area around the light collecting ② is enough for cooling space. (as Figure 02).

5. To ensure safety, make sure that the power switch is off before replacing the bulb or fuse, at the same time wait until the bulb and lamp holder are completely cooled. (as Figure 02)

6. Standard configuration: 3W LED lamp of single bulb.

7. This machine does not put any disconnect devices in the difficult position.

Figure 02

II.Maintenance and service

1. Clean the lens gently with gauze. If you want to remove fingerprints and oil stains, use a very small amount of ether (70%) to wipe off the mixture with alcohol (30%) or xylene.

★ Both ether and alcohol are extremely flammable. Be careful not to close these chemicals to open fire and possible electricity. Use these chemicals in a well ventilated room as far as possible from the spark source, such as the opening and closing operation of electronic equipment.

2. Do not use organic solvent to wipe the non optical parts of the microscope. For cleaning, use neutral detergent.
3. When using, if the microscope is wet by liquid, immediately cut off the power supply and dry it.
4. Do not disassemble the parts of the microscope. This may affect the function of the microscope or damage it.
5. When the microscope is not used, it shall be covered with a dust-proof cover.

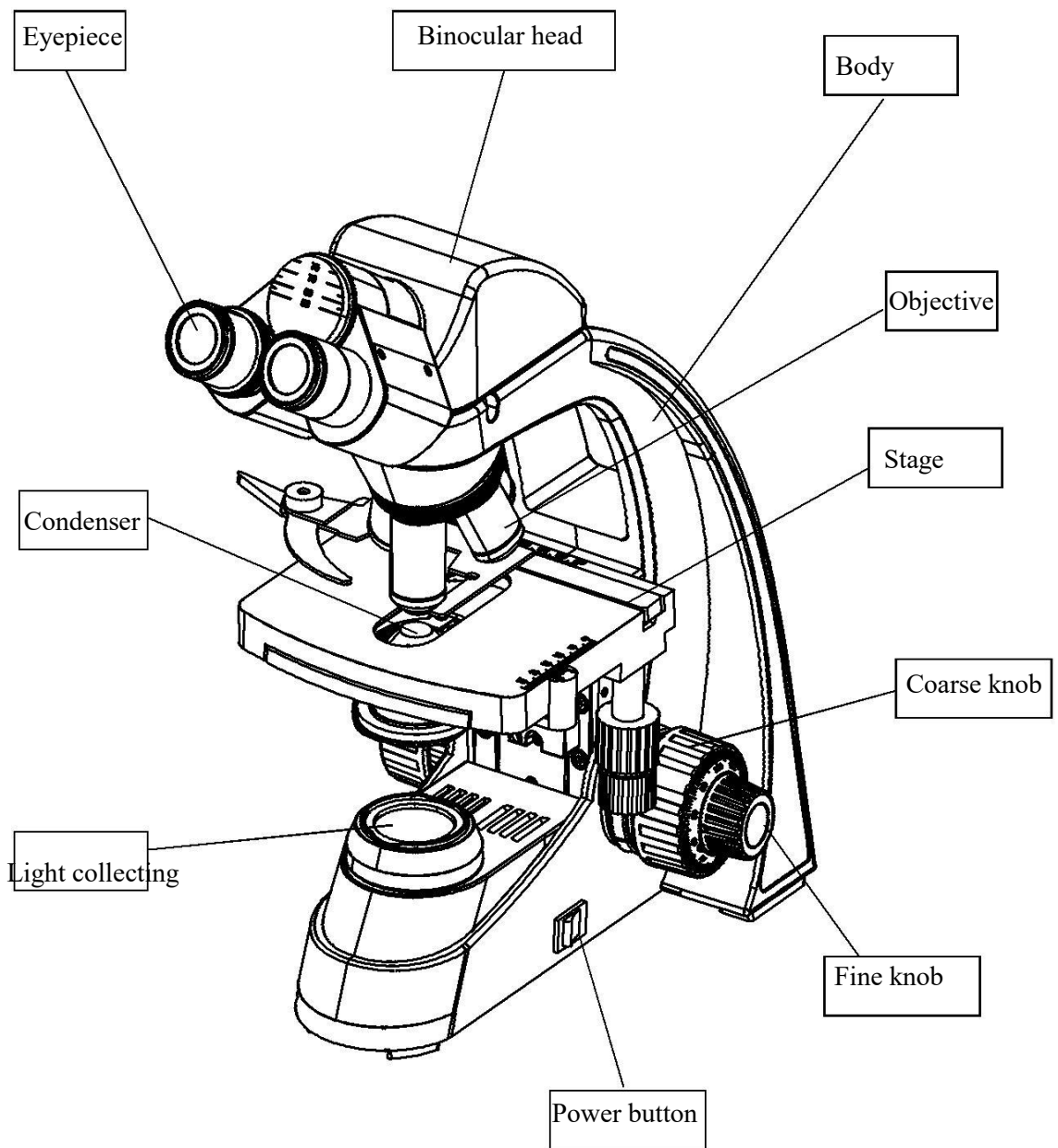
III. Safety signs

Identify	Meaning
	Read the manual carefully before use. Improper operation may lead to Personal injury or instrument failure.
	Power ON
O	Power OFF

IV. Data sheet

Item	Specification
Eyepiece	WF10X/18mm
Observation head	30°inclination,hinged trinocular observation head, interpupillary distance 50mm-75mm, single type diopter adjustable, fix light division R:T:80:20
	30°inclination, hinged binocular observation head, interpupillary distance 50mm - 75mm, single type diopter adjustable (optional)
Objectives	Achromatic objective 4X/0.10, W.D.: 37.5mm
	Achromatic objective 10X/0.25,W.D: 6.55mm
	Achromatic objective 40X/0.65,W.D: 0.669mm
	Achromatic objective 100X/1.25, W.D: 0.198mm
Nosepiece	Quadruple nosepiece with inward tilt
Stage	155mmx142mm double layer compound mechanical moving stage, moving range 76mmX50mm , accuracy 0.1mm
Focus	Low position hand wheel coaxial coarse and fine adjustment with limit stopper and lock device
	Stage height movement (coarse movement stroke: 25mm)
	Fine focusing accuracy 0.002mm
Transmitted illumination	3W LED, Pre-set lamp center, brightness continues adjustable
	Abbey condenser,N.A.1.25, with changeable aperture diaphragm
	Filters: blue, yellow and green
Camera adapter	0.5X C-mount
Power line	External set wide voltage power adapter, input 100V-240V-AC50/60HZ, outputDC12V2A
	Immersion oil
	Dust cover

V. Microscope structure

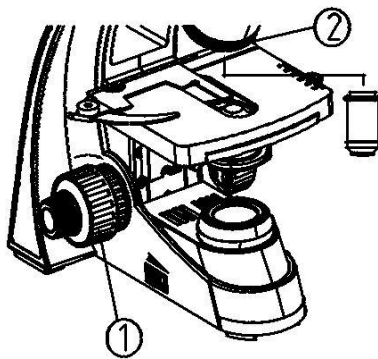
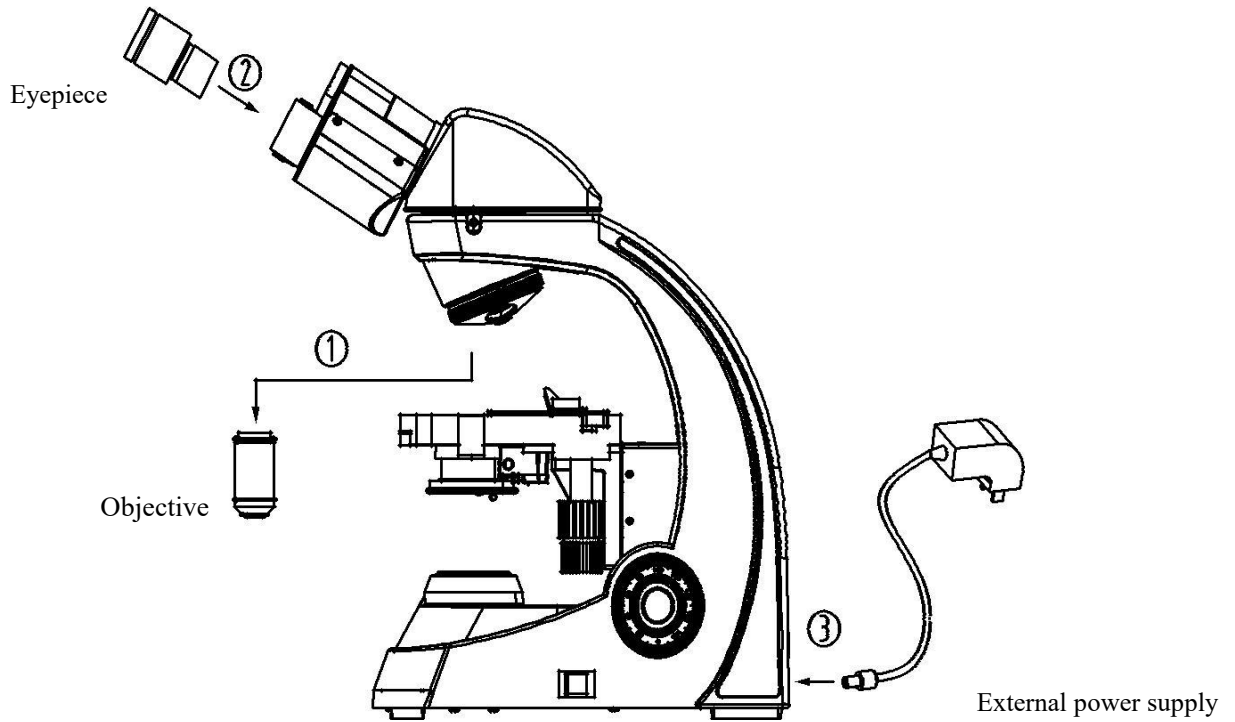


VI. Installation

1. Installation diagram

The following figure shows how to install various components. The number indicates the installation sequence.

★ before installation, make sure that all parts are free of dust, dirt and other foreign matters affecting assembly. When installing, be careful not to scratch, wipe any part or touch the glass surface.



2. Installation steps

2.1 Installation objective

1. Rotate the coarse hand wheel according to the direction of the chart, so that the loading platform can be lowered to a suitable position.
2. Then turn the objective nosepiece from low magnification to high magnification. Install it on the objective converter ②.

Figure 03

★ During operation, first search with low magnification objective lens (4x or 10x) . Look for the sample and focus it, then change the objective lens with high magnification as needed observation.

★ When replacing the objective, rotate the objective nosepiece until the ‘click sound is heard, so as to ensure that the required objective lens enters the light.

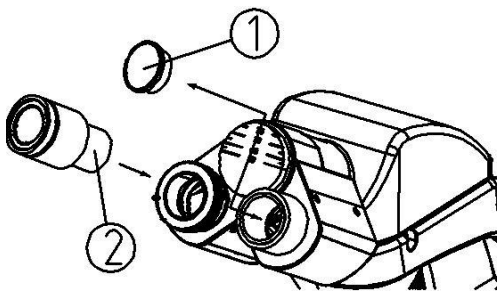


Figure 04

2.2 Install eyepiece

1. Remove the eyepiece tube cover ①.
2. Insert the eyepiece ② into the eyepiece tube until it is against the surface. (as shown in Figure 04)

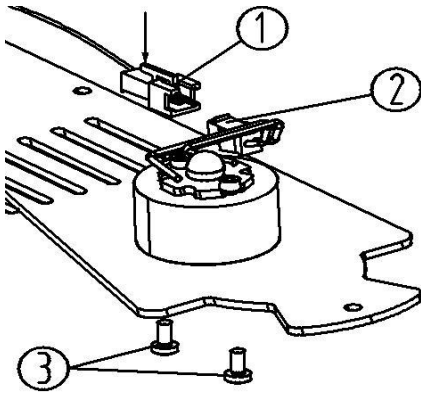


Figure 05

2.3 Install or exchange LED lamp

Unscrew the fixing screws on the base plate group and take out the base plate group according to the figure 05.

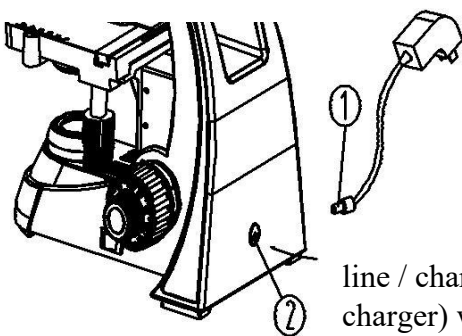
Press and hold connector socket ① (connected with LED control panel) in the direction of arrow.

Pull out the connector plug ② (connected with the LED light) And then screw off the two screws ③ that fix the LED lamp group and replace them.

For the new LED lamp group, use the two screws ③ just removed to fix the LED lamp group, and insert the connector plug ② into the connector.

Plug in socket ①, and then assemble the base plate back to its original position. (as shown in Figure 5)

★ Before replacing the LED lamp, first disconnect the main power supply of the microscope, and then replace it after the LED lamp group cools down to avoid LED. The temperature of the lamp group is too high and burns.



2.3 Connect external power adapter (power cord / charger)

★ Do not apply strong force to the power cord. When bending and winding, the power cord is easily damaged.

★ Always use the external power adapter (power line / charger), if it is lost or damaged, the external power adapter (power line / charger) with the same specification shall be selected.

Figure 06

©Applicable to the external power adapter of the host

1. Before connecting the external power adapter, set the power switch to the "O" (off) state.
2. Insert one end of the external power adapter ① into the power socket ② of the microscope, and then install the other end
3. Fully plug into the power socket and ensure good contact. (as shown in Figure 6)

★ DC12V 1A external power supply is adopted. Ensure that the external power adapter used meets this requirement.

★ if the model has a charging battery, the DC6V1A external battery charger must be used for charging. After the instrument is fully charged, the indicator light of the charger changes from orange to green. When replacing the charging battery, the high-quality 5# charging battery shall be selected.

VII. Use of microscope

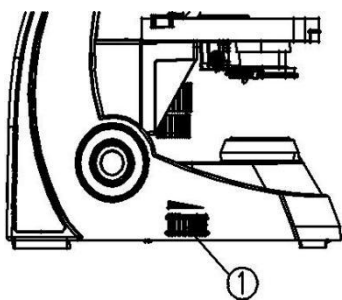


Figure 07

1.1 Illumination

1. Turn on the power, and set the main power switch on the side of the microscope to "-" (on) status.

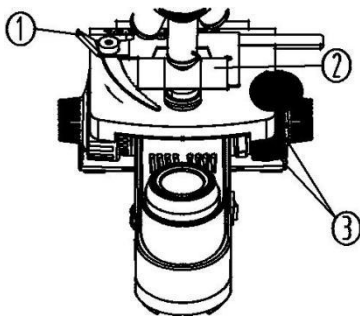


Figure 08

2. Adjust the dimming hand wheel ① to adjust the lighting brightness to a comfortable level. Turn the dimmer hand wheel clockwise to increase the voltage and make it bright (as Figure 07)

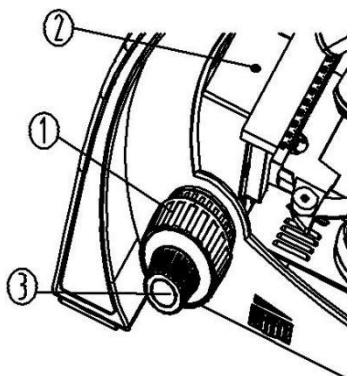


Figure 09

1.2 Put slide

1. Push back the wrench on the specimen holder.
2. Put the cover glass of slice ② upward into the slice holder, lightly open spanner ① easily and clamp the slice. (Figure 08)
3. Turn the vertical and horizontal hand wheels
4. ③ of the stage to move the specimen to the center position (aligned with the center of the objective lens).

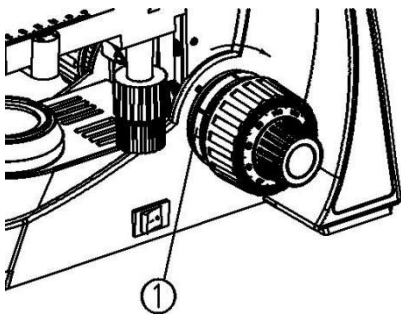
1.3 Focusing

1. Move the 4x objective into the optical path.
2. Use the right eye to observe the right eyepiece, and turn the rough hand wheel ① until it is visible

The outline of the observed specimen appeared in the field. (Figure 09)

3. Turn the fretting hand wheel ③ to make the details of the specimen clear.

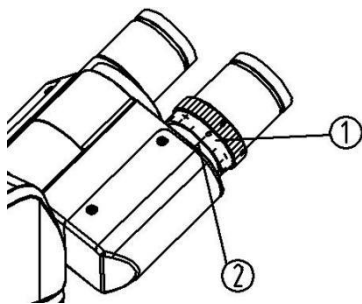
★ The limit screw ② can prevent the contact between the objective lens and the slide when focusing.



1.4 Adjustment of tightness of coarse mechanism

If the hand feel is heavy during coarse adjustment, uncomfortable or after focusing. And the product quickly leaves the focal plane, and the stage slides down by itself, which can adjust the hand wheel ① to solve the problem. (as shown in Figure 10)

Turn the adjusting hand wheel ① in the direction of arrow as shown in the figure to make the focusing machine When the mechanism is locked, turn the adjusting hand wheel ① in the opposite direction to loosen the focusing mechanism.



1.5 Visual accommodation

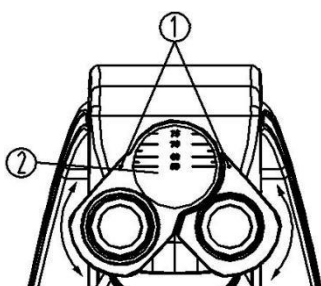
Observe the right eyepiece with the right eye, wait until the field of view is clear, and then observe the left eyepiece with the left eye. If it is not clear, rotate the visual adjustment Pitch ring ①, until the imaging is clear. (as shown in Figure 11)

★ there are ± 5 diopters on the sight adjusting ring ① and the scale on the seat .The value corresponding to line 2 is the visual acuity value of the eye.

Figure 11

★ When using the eyepiece with adjustable visibility, first set the visibility of the eyepiece to zero. During the use process, you can also adjust the visibility of the eyepiece to make the image clear.

★ remember your own visual acuity value so that you can use it next time.



1.6 Pupil distance adjustment

When observing with both eyes, hold the left and right prism bases and rotate around the rotation axis. Adjust the pupil distance until the left and right visual fields are one and comfortable.

Figure 12

Indicator point "above eyepiece base." ①, pointing to the scale ② on the pupil distance indicator, indicating the size of pupil distance. (Figure 12) Pupil distance adjustment range: 50-75mm.

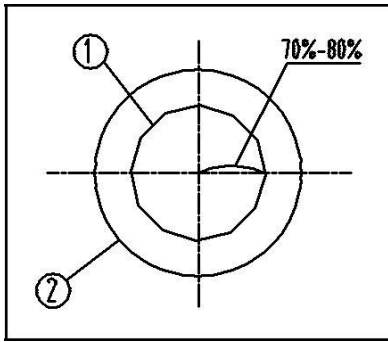
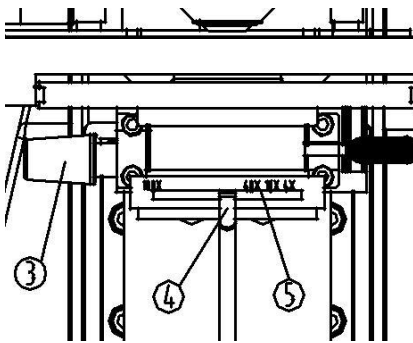


Figure 13
 is usually low, the handle ④ should be turned to align with the condenser seat ⑤ when using. The magnification position corresponding to the multiple of the objective, even if the aperture of the condenser lens is adjusted to the value of the aperture of the objective 70%-80%. If necessary, remove the eyepiece, observe from the eyepiece cylinder, and adjust the handle ④ until it is as shown in Figure 13 to adjust the scale. (as shown in Figures 13 and 14, ① refers to aperture light bar image, ② refers to outer edge of objective.

1.7 Use of condenser and aperture diaphragm

1. Aperture diaphragm determines the numerical aperture of lighting system. Only illuminating system shows that the numerical aperture matches the numerical aperture of the objective lens. It can obtain better image resolution and contrast, and increase the depth of field 1.
2. Adjust the adjusting hand wheel ③ of the condenser clockwise to raise the condenser to the highest level so that the illuminating light can fill the whole field of view. Because the contrast of microsamples

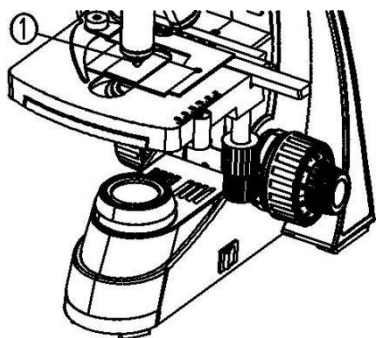


4.8 Use of oil immersed objective (100x)

1. Focus the sample with 4x objective.
2. Drop a drop of immersion oil ① on the sample of the observation part. (as shown in Figure 15)
3. Turn the objective lens converter anticlockwise, turn the oil immersed objective (100x) into the optical path, and then use the inching handwheel to focus.

Figure 14

★ Any bubble in the oil will have an impact on the image, and it should be confirmed that there is no bubble in the oil..



- A. When checking bubbles, remove the eyepiece and open the field diaphragm completely and the aperture diaphragm, and then observe the outside of the objective through the eyepiece tube edge (it looks round and bright).
- B. To remove bubbles, turn the converter slightly and swing the oil immersion objective left and right several times.

Figure 15

4. After using the oil immersed objective lens, dip a small amount of 3:7 ethanol ether mixture with clean gauze or carefully wipe the front lens of the objective lens with xylene, and at the same time wipe off the immersion oil on the sample.

★ when the immersion oil is not wiped off, do not turn other objective lenses into the optical path to avoid the immersion oil on the relevant objective lens.

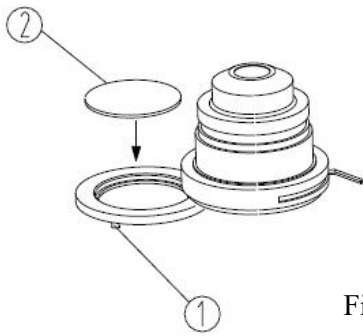


Figure 16

★ Too much xylene will dissolve the lens adhesive.

1.9 Use filter

Turn the filter shelf ① at the bottom of the condenser clockwise to filter. Press the color chip ② into its hole, and then screw it into the shelf anticlockwise. (as shown in Figure 16)

★ The filter is divided into three colors: blue, yellow and green.

1.10 Installation and use of camera

1. Use the Allen wrench to loosen the locking screw ① on the three eye observation cylinder, take out the three-way dust cover ②. (as shown in Figure 17)

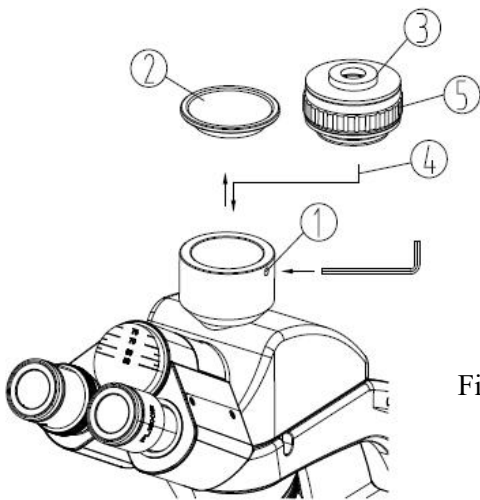


Figure 17

2. Screw CTV interface (C-type bayonet) ③ into CCD or camera. Then install the CTV equipped with CCD or camera into the three eye observation cylinder according to the direction ④ shown in the figure, and tighten the locking screw ①.

3. Conduct binocular observation. After the image is clear, observe the CCD image. If it is not clear, rotate the adjusting knob ⑤ to focus until the image is clear.

3. Conduct binocular observation. After the image is clear, observe the CCD image. If it is not clear, rotate the adjusting knob ⑤ to focus until the image is clear.

VIII. Troubleshooting

If the performance of the microscope cannot be fully developed due to unskilled use, the following table can provide you with some solutions :

Problem	Cause	Solution
1. Optical parts		
(1) Field is dark even light on	Aperture aperture is not large enough	Open aperture
	Condenser too low	Adjust condenser height
(2) Field edge dark or uneven light and shade	Converter not in position	Go to the location of the converter
	Lens (condenser, objective,	Clean lens

	eyepiece) ,there are dirty things on it.	
(3) In the field of view has dirty things	There is dirt on the specimen	Clean sample
	Dirt on each lens	Clean lens
(4) Image is not clear	No cover glass cover slide	Put on cover glass
	Cover glass thickness is not accurate	Use δ 0.17mm thickness cover glass
	The specimen is in reverse	Correct
	There is immersion oil on dry lens	Clean
	There is not immersion oil on oil lens	Use immersion oil
	There is bubble in immersion oil	Eliminate bubble
	Use unmatched oil	Change to matched oil (Cedar oil)
	Aperture diaphragm is too small or wide	Debugging to suitable size
	There is dirt on the incident lens of the eye lens	Wipe off the lens
(5) Image one side is dark or image is moving when focusing	Condenser position is too low	Adjust
	The specimen is floating	Fixed specimen
	Converter not in position	Go to location
(6) Eyes are easy to fatigue, left and right vision field mismatch	The condenser is not correctly aligned	Centering condenser
	Pupil distance incorrect	Adjust pupil distance
	The eyepieces used in the left and right eyes are different	Use the same eyepiece

Problem	Cause	Solution
2.Mechanical part		
(1) Image with high power objective Inability to focus	The slides are reversed	Turn over slide
	Cover glass is too thick	Use cover glass with standard thickness δ 0.17mm
(2) When the objective lens changes from low power to high power,it contacts with glass slide during conversion	The slides are reversed	Turn over slide
	Cover glass is too thick	Use cover glass with standard thickness δ 0.17mm
(3) Rough handwheel is tight	The adjusting ring is too tight	Appropriate relaxation
(4) The stage descends by itself and does not stop on the focal plane during the observation.	The elastic adjusting ring is too loose	Appropriate lock
(5) Coarse adjustment handwheel cannot be raised	Stop screw locked	Loosen the limit screw
(6) Coarse adjustment handwheel cannot be lowered	The condenser base is too low	Raise the condenser base
(7) Specimen movement is not smooth	Specimen not in place	Repositioning
	The mobile ruler is not fixed reliably	Really fasten
(8) When touching stage, image moved obviously	The stage is not fixed correctly	Fixed loading platform
3.Electrical parts		
(1) The light is not on	No power	Check power line connection
	Lamp is not correctly installed	Correctly install lamp
	Lamp burned	Exchange lamp
(2) Lamp often burned	Has not used matched bulb	Exchange to standard bulb
(3) Brightness is not enough	Non specified bulb used	Use specified bulb
	Incorrect adjustment of dimmer hand wheel	Correct adjustment