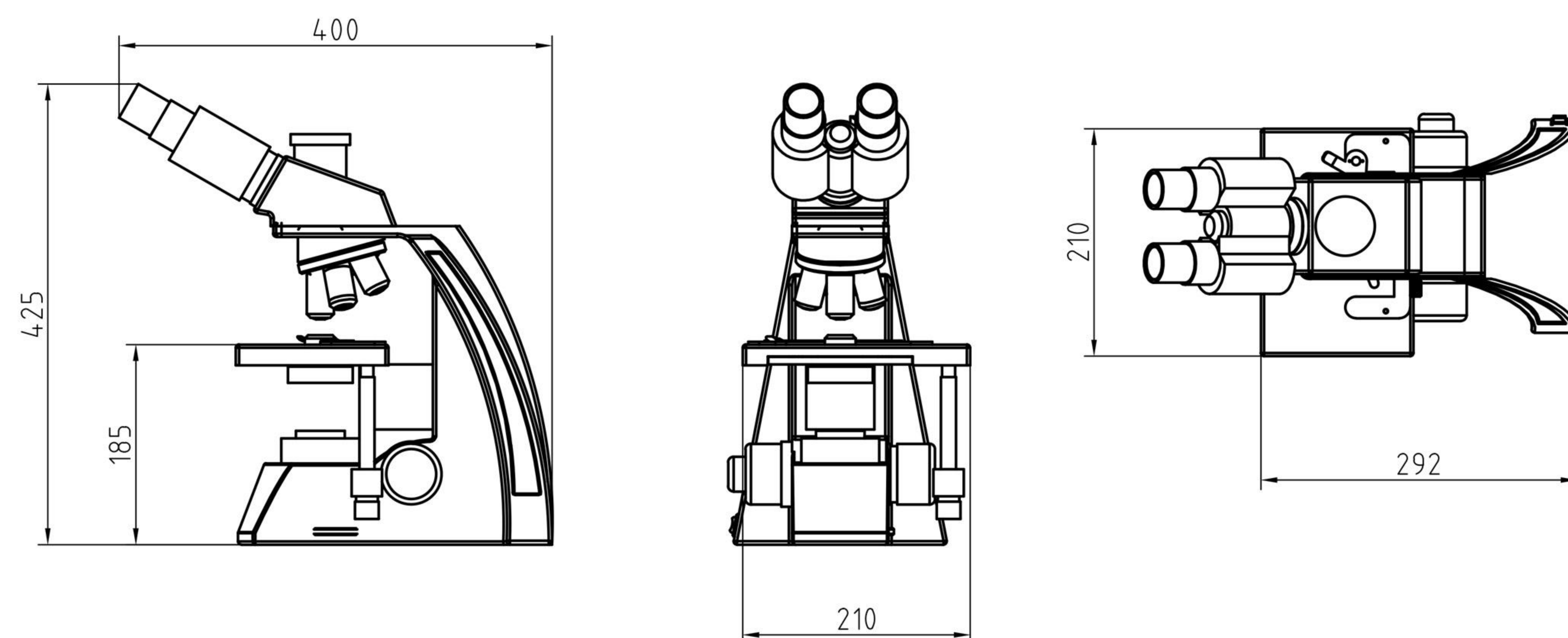


## ML31

Product Parameter

Biological microscope ML31	
Item	Specification
Eyepiece	Wide field WF10X/22mm
Head	Hinged Trinocular tube, 30° inclined, interpupillary distance 53mm-75mm, light split 100:0 / 0:100
Objective	Infinity Plan Achromat Objectives Plan 4X/10X/40X/100X Infinity Plan Achromat Objectives Plan 20X (optional)
Focusing system	Coarse and fine movement coaxial focusing, with locking and limit device, fine movement scale value 2 μm, coarse movement stroke 40mm per circle, fine movement stroke 0.2mm per circle, focusing range 24mm
Nosepiece	Inward quadruple nosepiece
Stage	Double-layer mechanical platform, size 210×140mm, moving range 76×50mm
Transmitted light	Abbe Condenser NA1.25 LED light source, adjustable brightness, Kohler lighting
Camera port	TV1XC-MO (camera not included)
Size	400×210×425 (unit:mm, L*W*H)
Phase contrast	Plan achromatic phase contrast objectives Plan 10X/20X/40X/100X PH (optional) Phase contrast condenser turret (optional) Telescope (optional)
Dark field	Dark field condenser (optional)

## ML31 DIMENSION



Guangzhou Micro-shot Optical Technology Co. Ltd

ADD: Rm A-506, Vanke Cloud, 1933 Huaguan Road, / Tianhe District, Guangzhou, / China  
www.m-shot.com / sales@mshot.com / Tel: 0086-20-38262481

Any specifications and appearance are subject to change without notice.

# Mshot

## Biological microscope ML31



# Biological microscope ML31

Upgradeable electric focus, electric stage

Upgradeable fluorescence observation

Polarized observation can be upgraded

Upgradeable Phase Contrast Observation

Upgradeable dark field observation

## 01 Easy to carry and store

The microscope structure is compact. The observation tube fixing screw is hand-tightened for easy operation. After rotating the observation tube, it can be placed in the classroom wall cabinet. The portable structure on the back makes transportation and transfer more convenient.



## 02 Large view high eye point

22mm large field of view eyepieces, the field of view under the lens is flat and wide, reducing eye fatigue caused by long-term work; high eye point design is convenience to wearing glasses users, no need to take off glasses to observe.



## 03 Excellent infinity optics

Independent achromatic infinity optical design offers clear imaging and rich details, can expand various observation methods such as fluorescence observation, switching between different observation methods and keeps the same magnification changes.



## 04 Low hand focusing system

The low-hand position design allows users to observe and operate in the most comfortable state, avoiding fatigue caused by hanging hands in the air when working for a long time.



## 05 LED light source Kohler lighting

Long-life high-brightness LED light source, stable, uniform, bright and non-glare. The light intensity can be continuously adjusted through the side knob of the fuselage to keep the field of view image in the best state; standard Kohler lighting, low-magnification imaging is sharper, and the maintainability is stronger.

